

ISI YALITIMLI SÜRME SİSTEM

INSULATED SLIDING SYSTEM



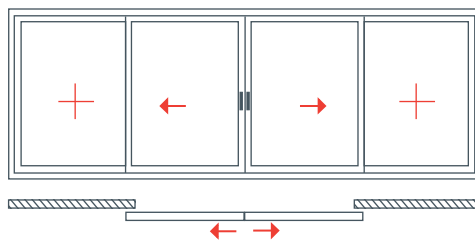
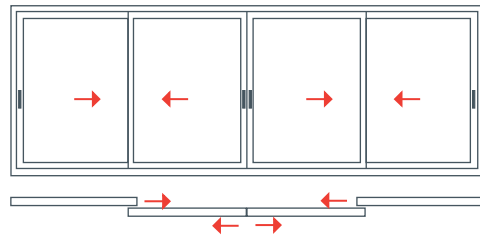
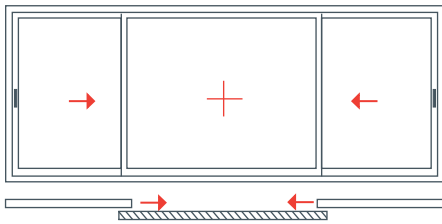
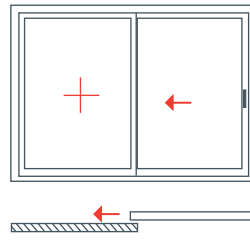
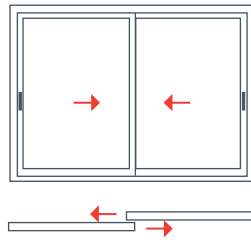
ES 38



ES 38

AÇILIM TIPLERİ

OPENING TYPES





ES 38

PROFİLLER

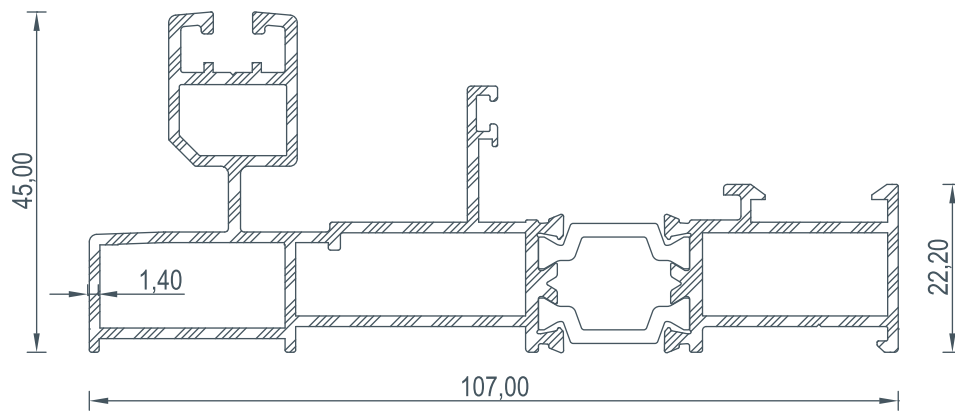
PROFILES

1.4 T ISI YALITIMLI SÜRME SİSTEM
1.4 T INSULATED SLIDING SYSTEM

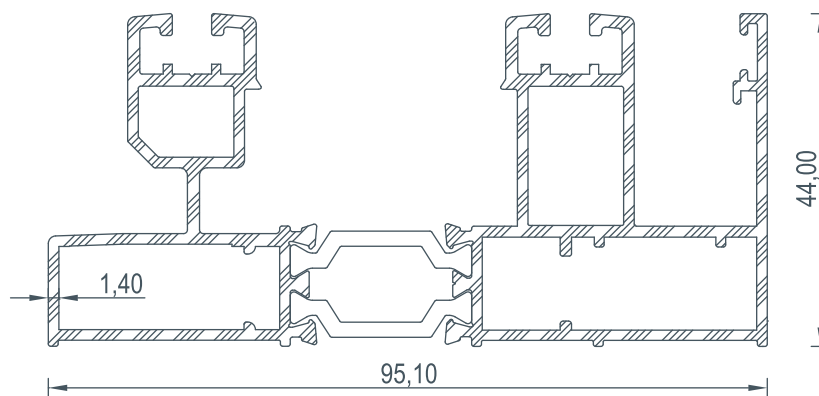


COD Code	AGIRLIK (kg/m) Weight	Jxx cm ⁴	Jyy cm ⁴	Wxx cm ³	Wyy cm ³	L m
6251	1,780	12,73	108,49	4,81	16,86	6
6250	1,871	12,73	108,49	4,81	16,86	6

6251



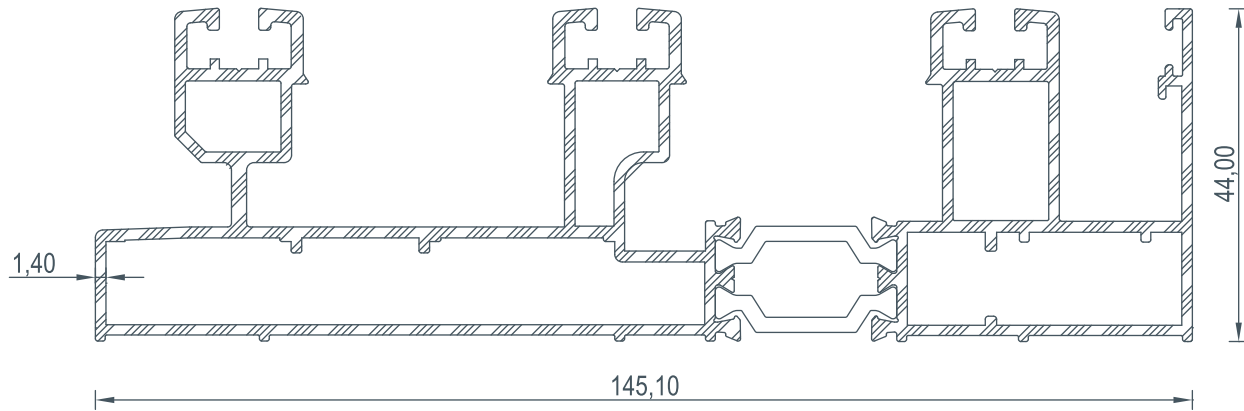
6250



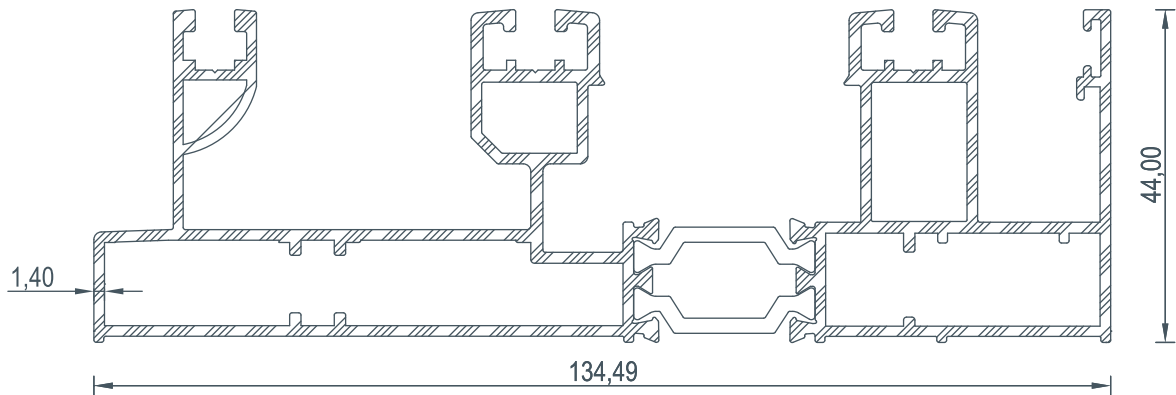


COD Code	AGIRLIK (kg/m) Weight	Jxx cm ⁴	Jyy cm ⁴	Wxx cm ³	Wyy cm ³	L m
6253	2,650	12,73	108,49	4,81	16,86	6
6252	2,452	13,53	150,33	4,95	20,92	6

6253

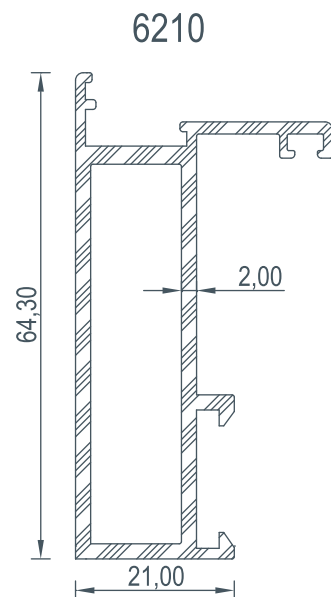
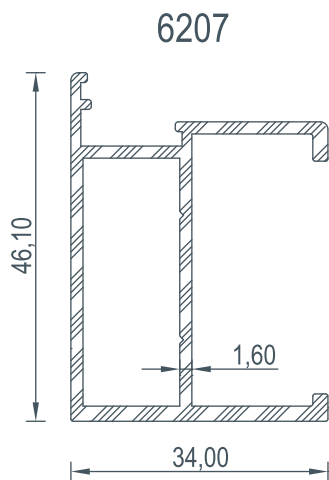
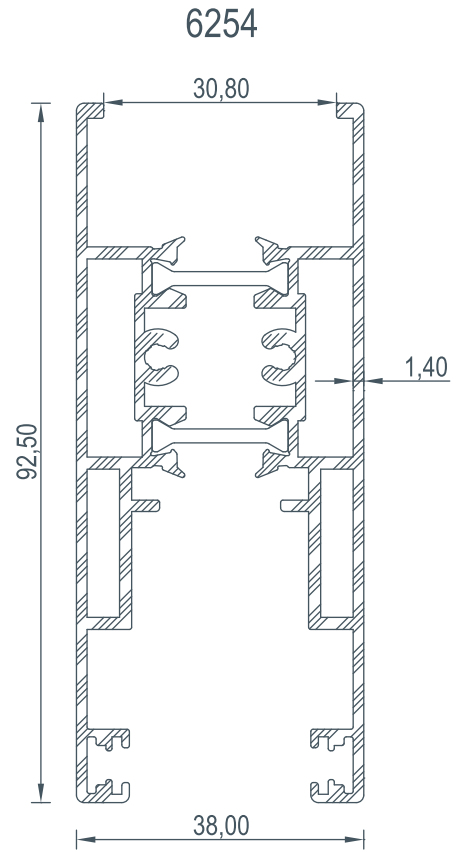
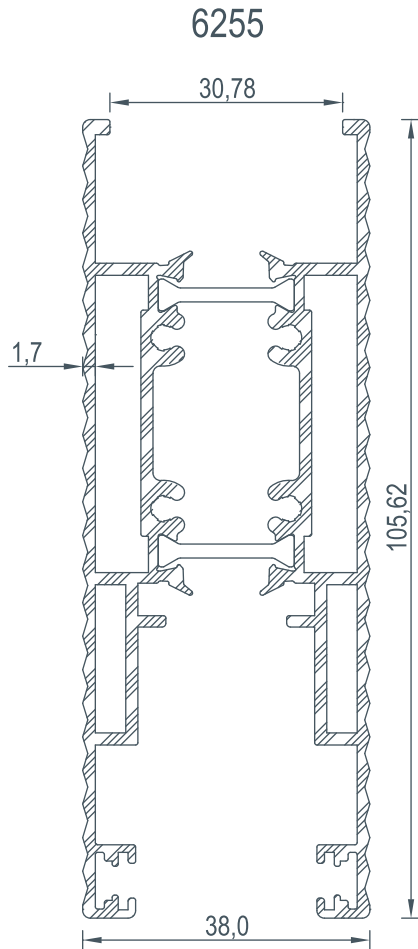


6252



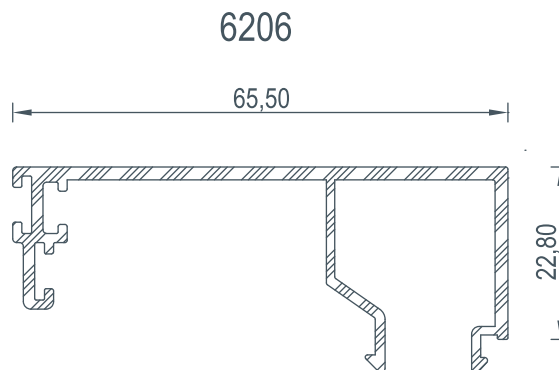
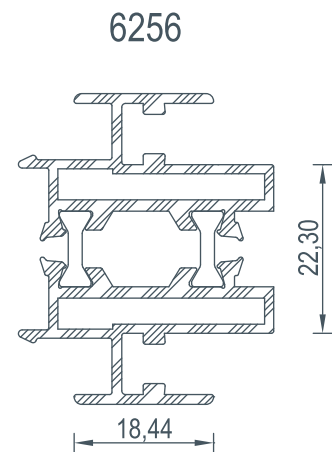
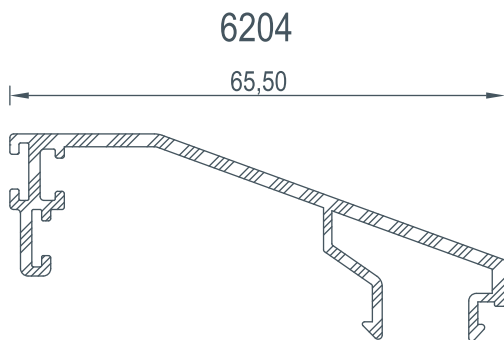
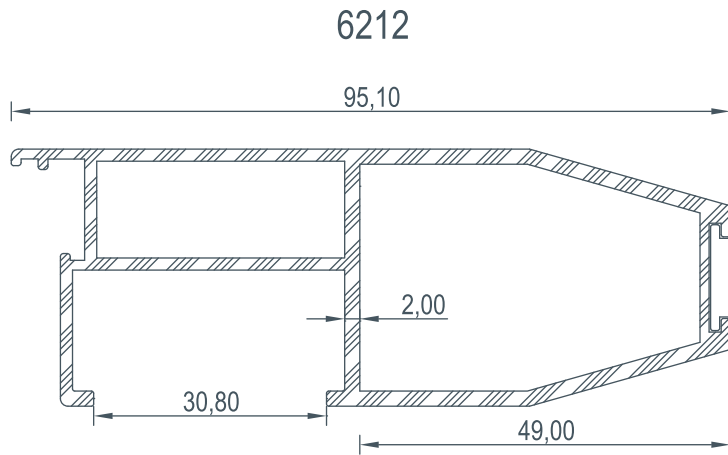


COD Code	AGIRLIK (kg/m) Weight	Jxx cm ⁴	Jyy cm ⁴	Wxx cm ³	Wyy cm ³	L m
6255	2,050	30,13	7,35	6,26	4,57	6
6254	1,893	26,08	8,09	5,80	5,05	6
6207	0,697	2,91	3,98	1,03	1,39	6
6210	0,983	3,92	10,44	1,46	2,98	6





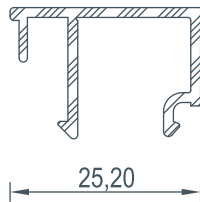
COD Code	AGIRLIK (kg/m) Weight	Jxx cm4	Jyy cm4	Wxx cm3	Wyy cm3	L m
6212	1,413	2,75	1,05	1,50	0,74	6
6213	0,113	----	----	----	----	6
6204	0,556	----	----	----	----	6
6206	0,643	----	----	----	----	6
6256	1,026	----	----	----	----	6



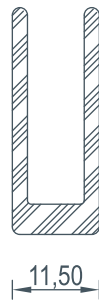


COD Code	AGIRLIK (kg/m) Weight	Jxx cm ⁴	Jyy cm ⁴	Wxx cm ³	Wyy cm ³	L m
6205	0,154	----	----	----	----	6
6215	0,402	----	----	----	----	6
4064	0,125	----	----	----	----	6
4065	0,981	----	----	----	----	6

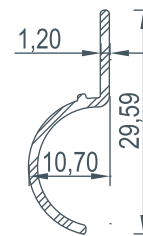
6205



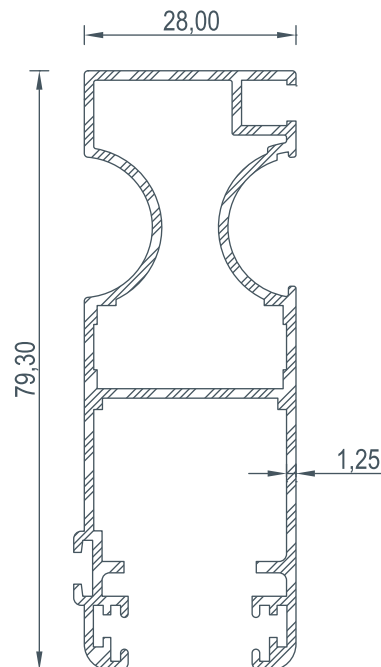
6215



4064



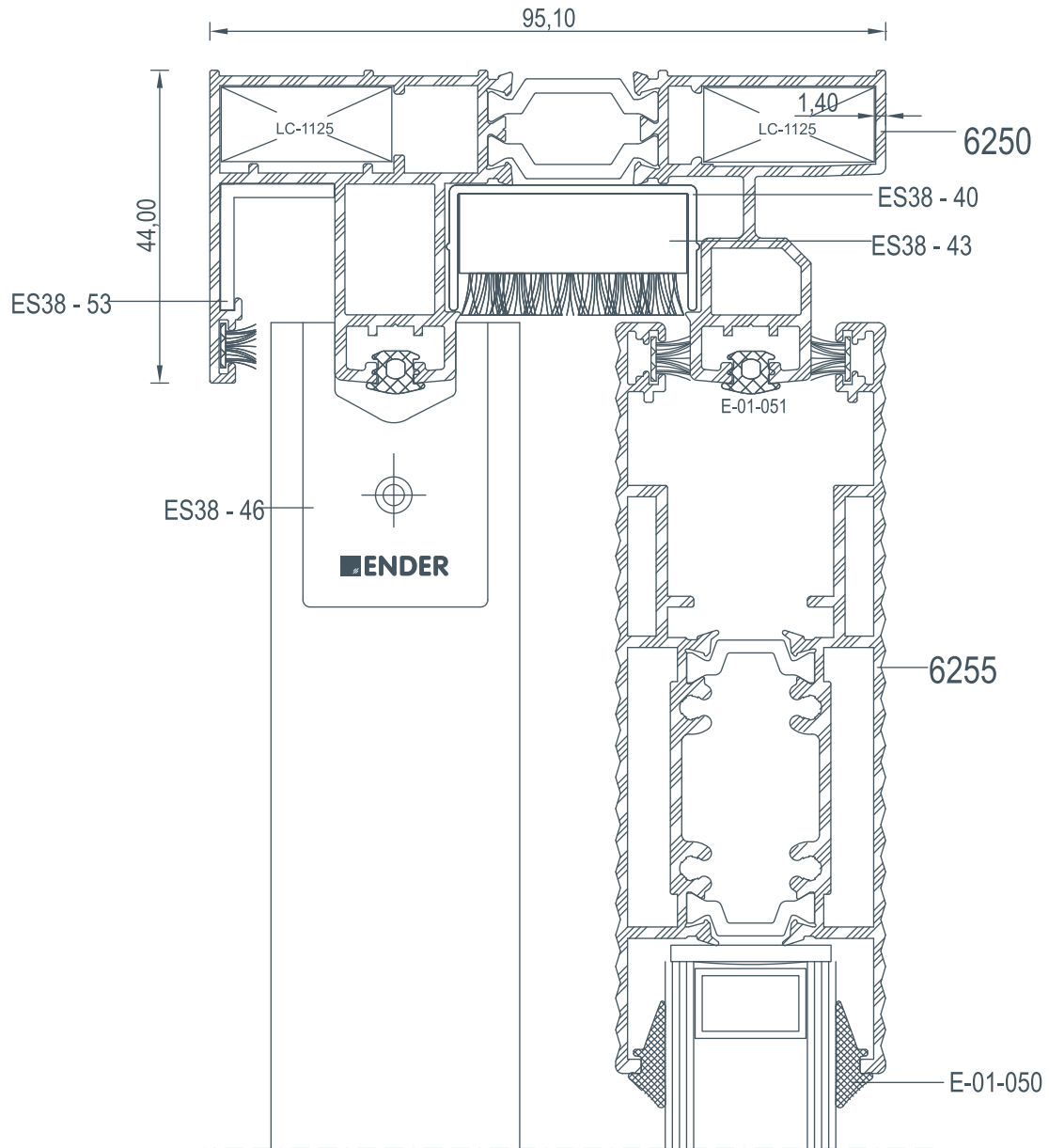
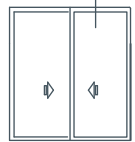
4065

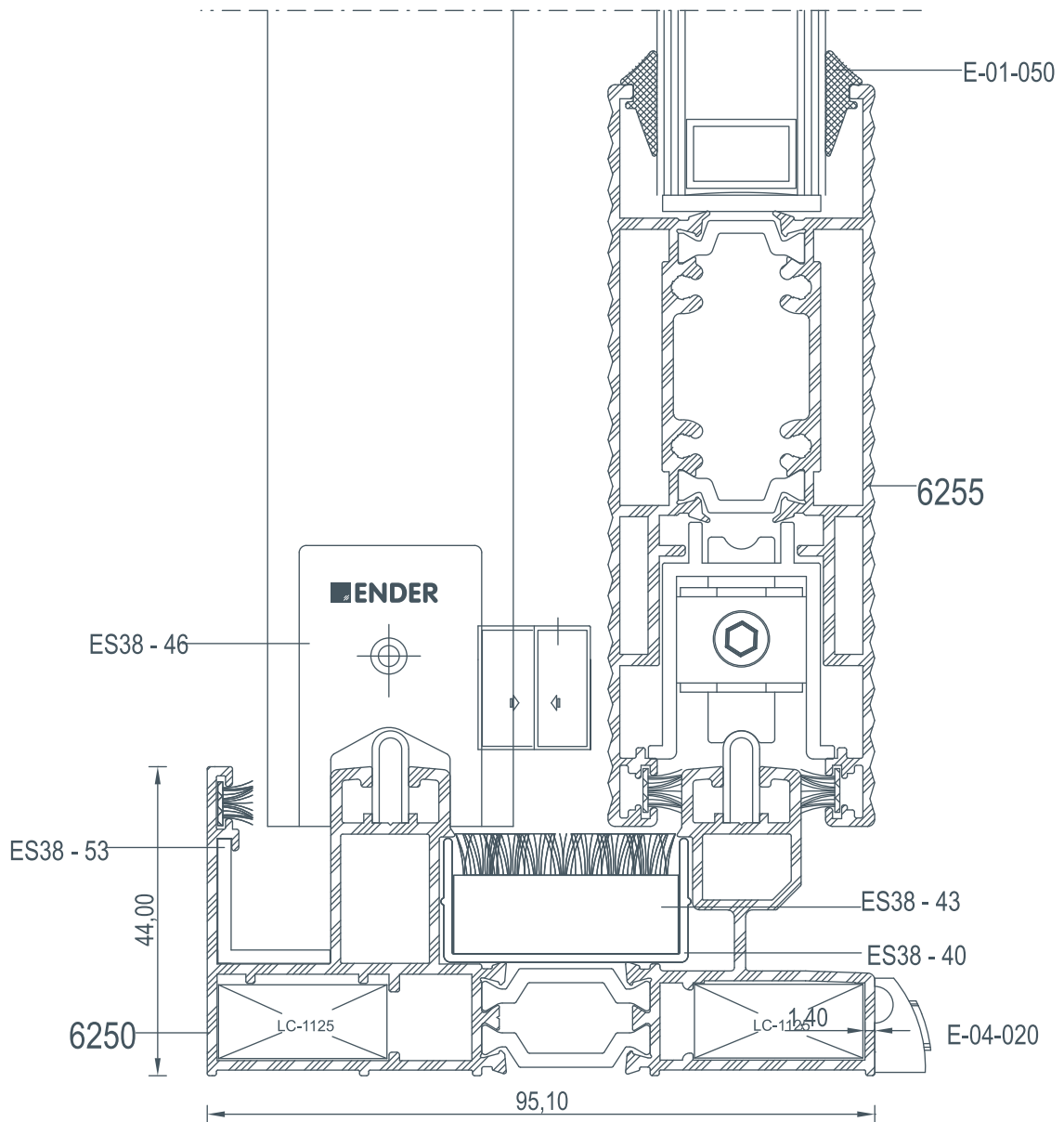
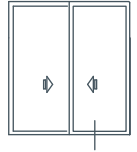


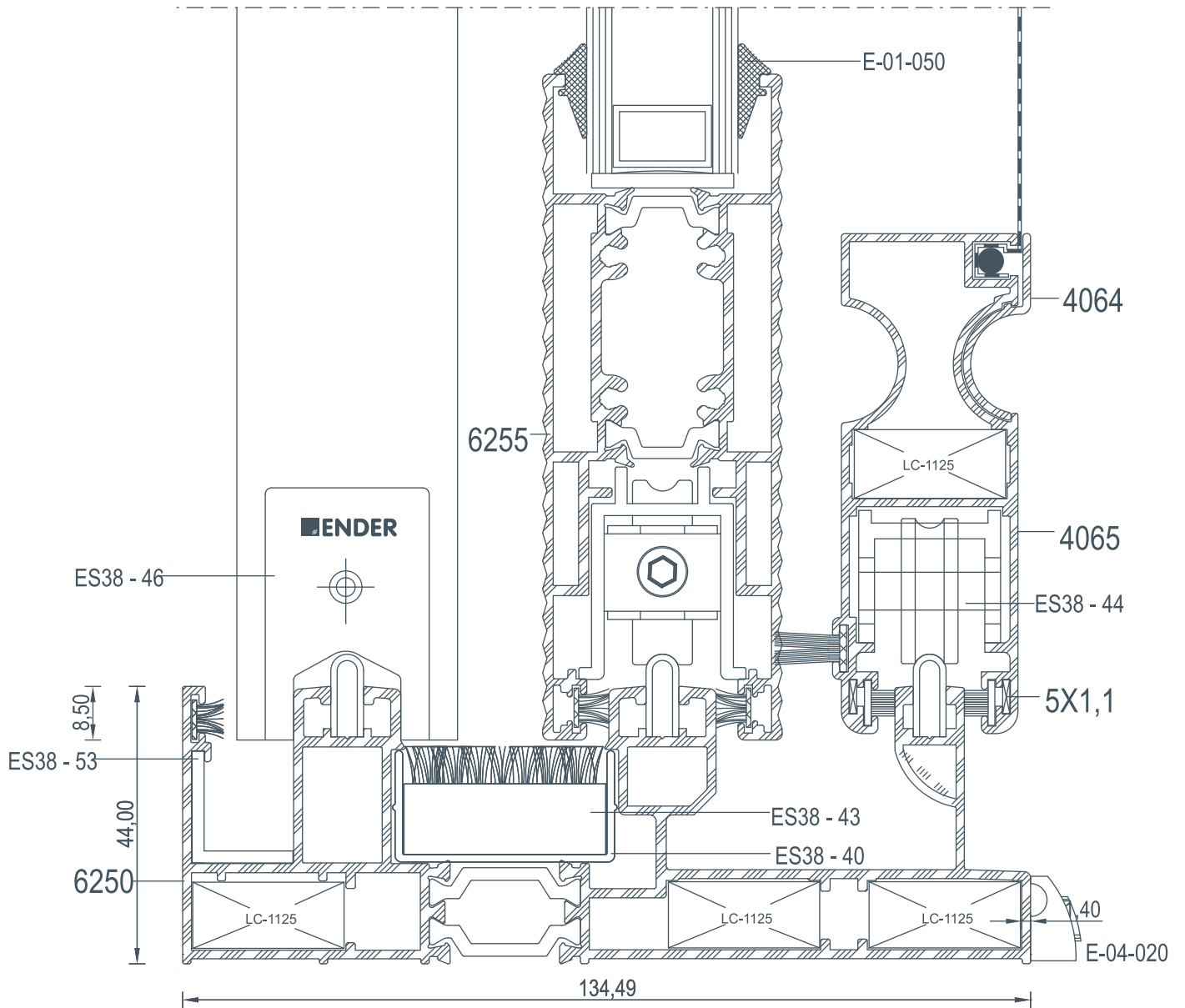
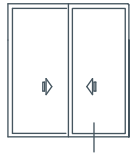


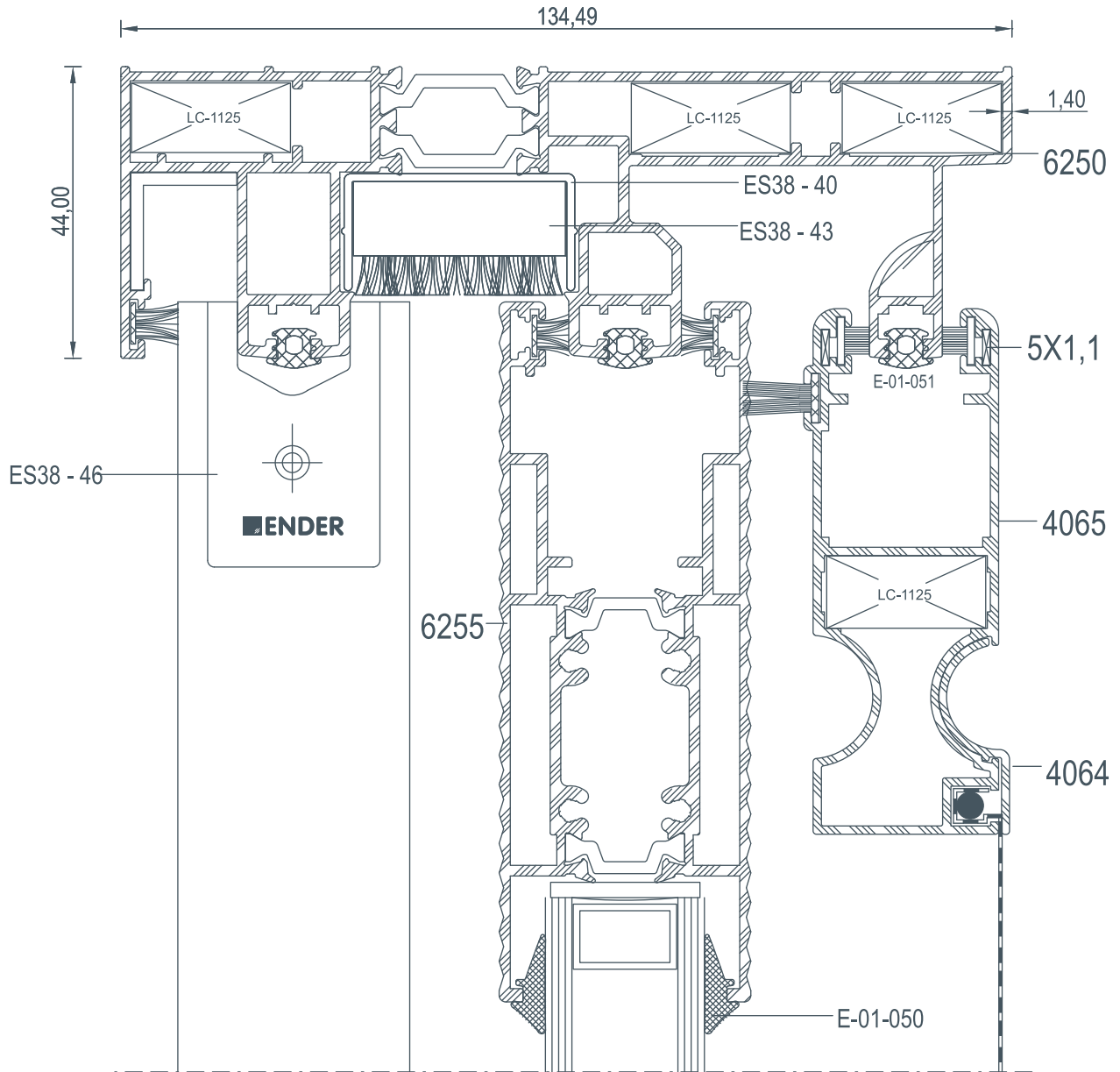
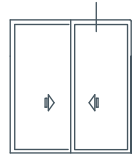
ES 38

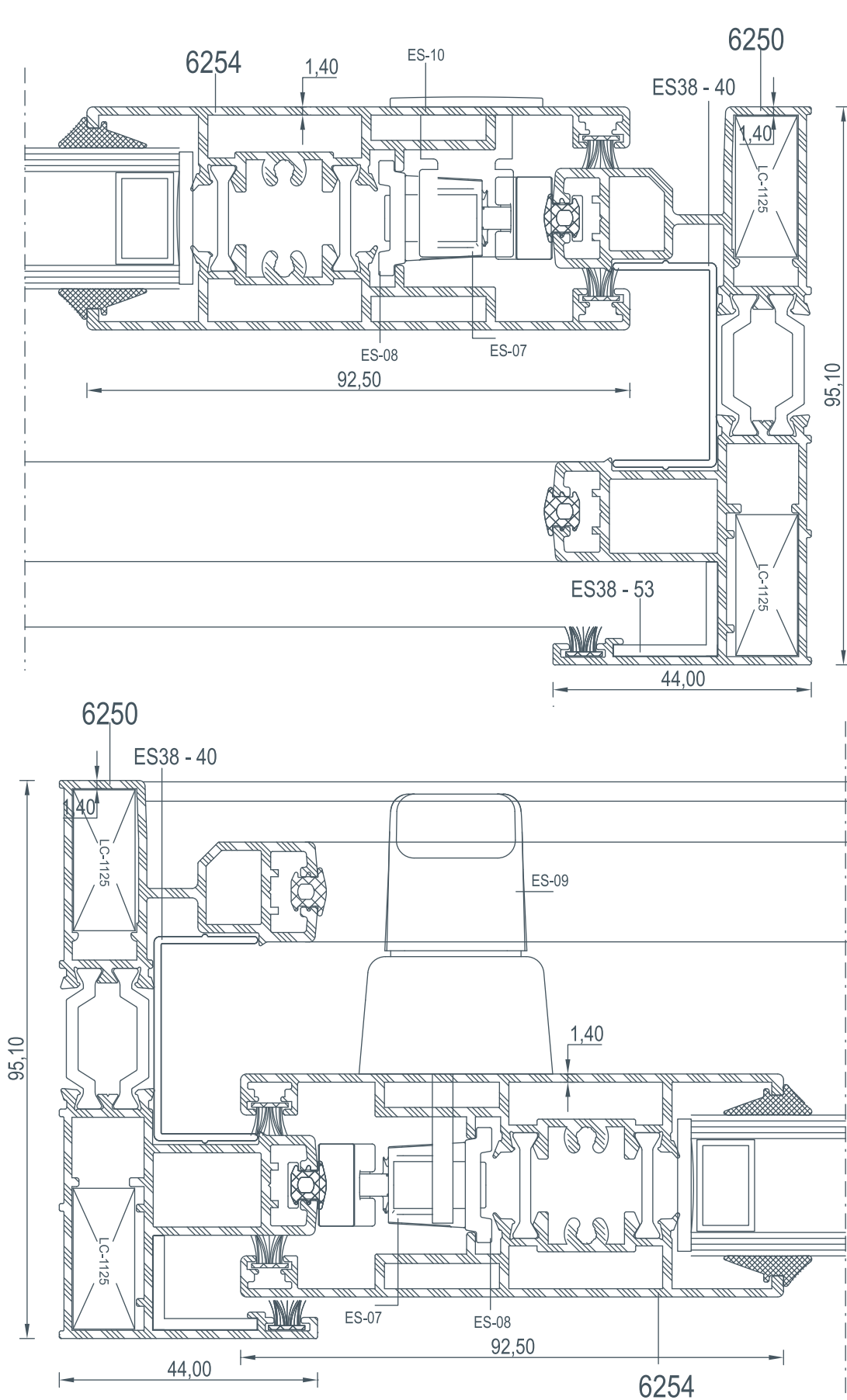
DETAYLAR
DETAILS

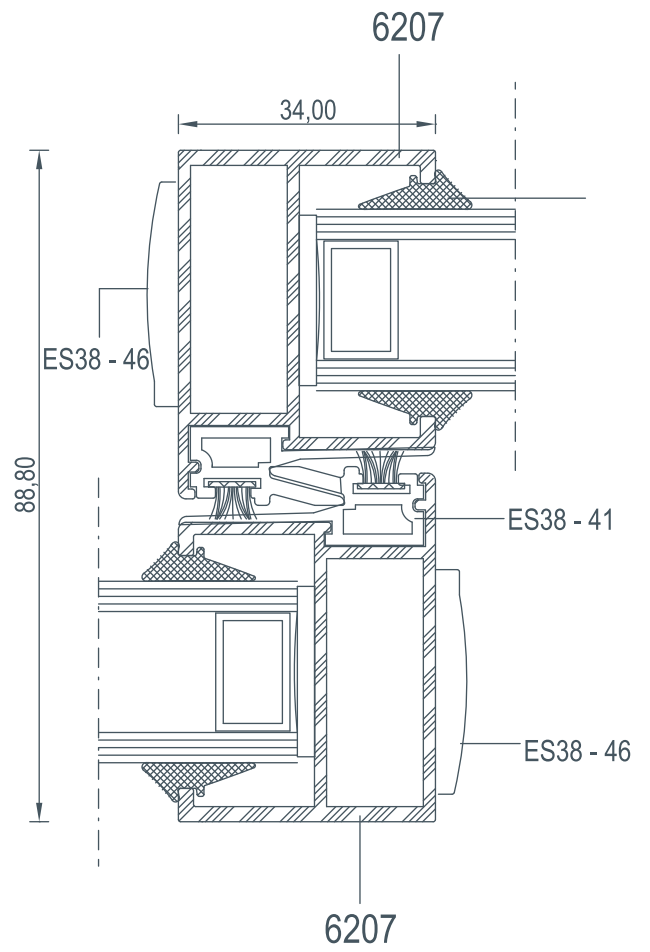
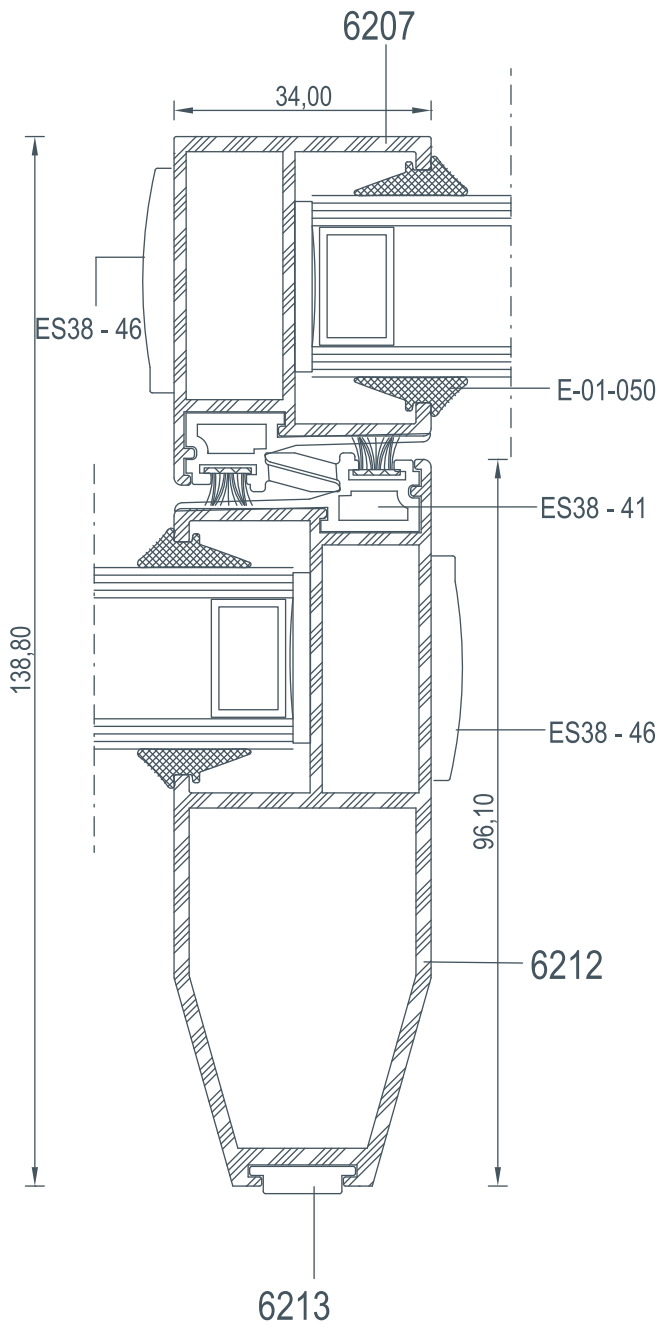


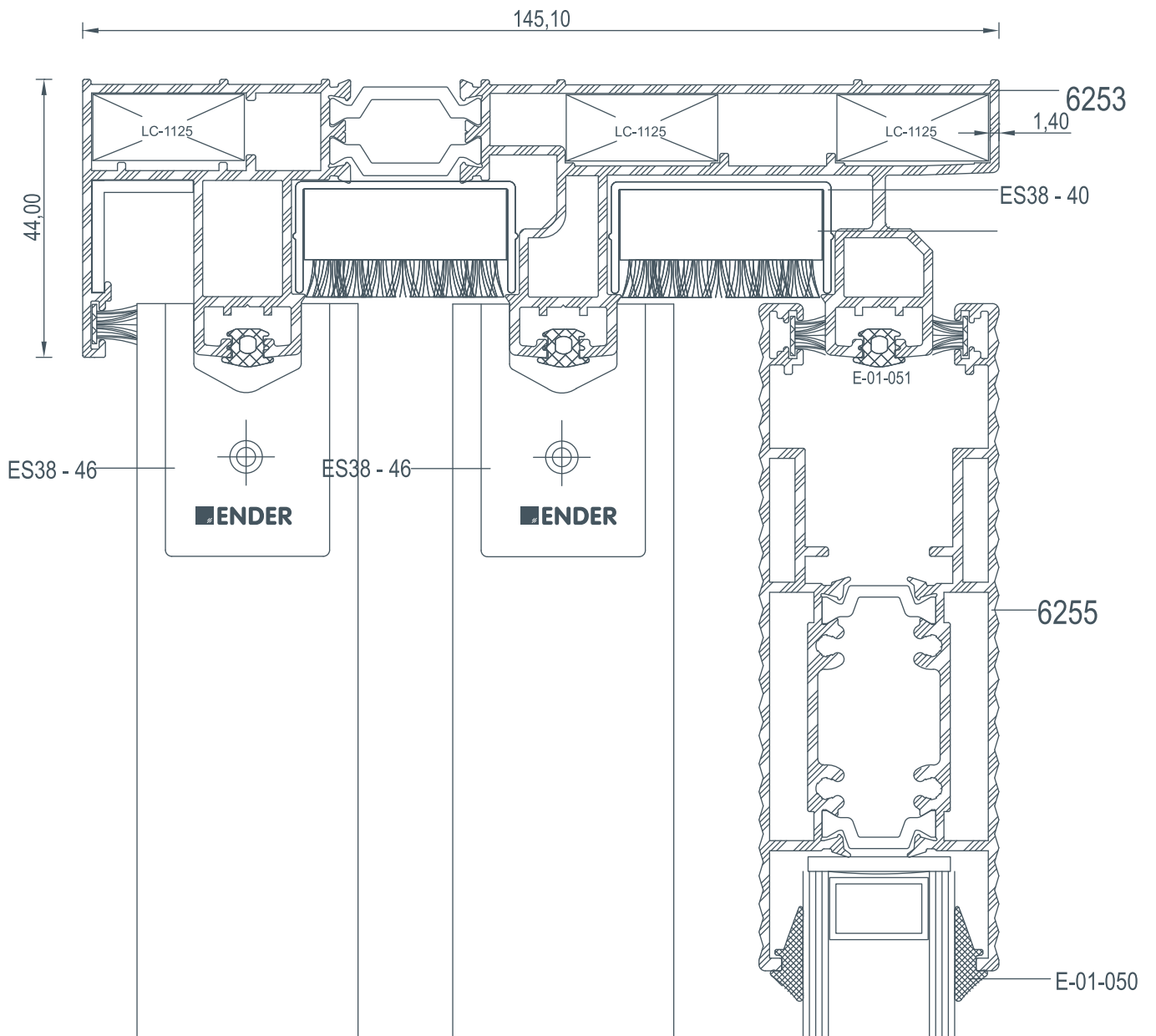


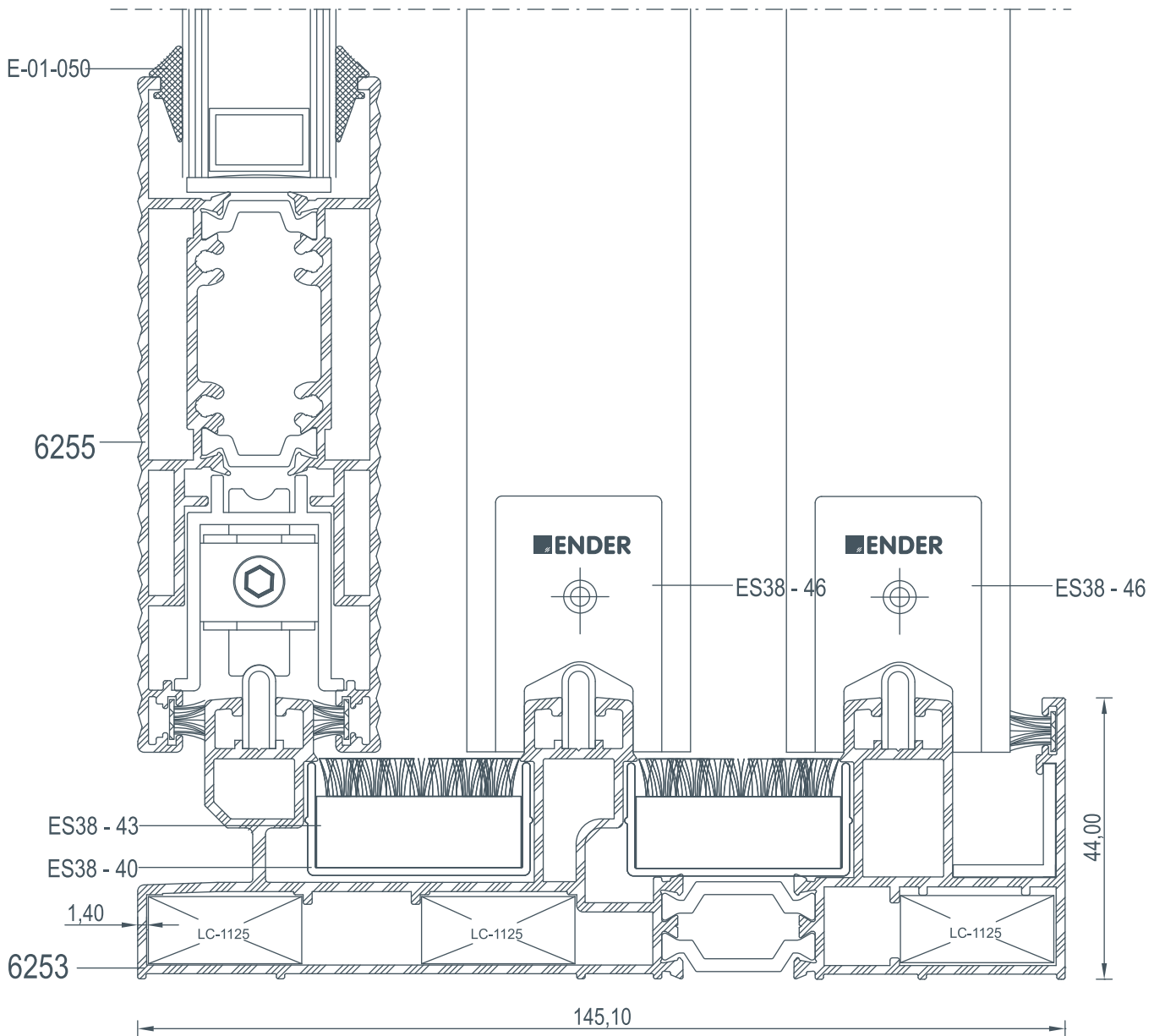
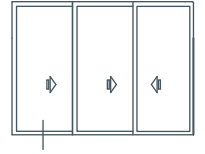


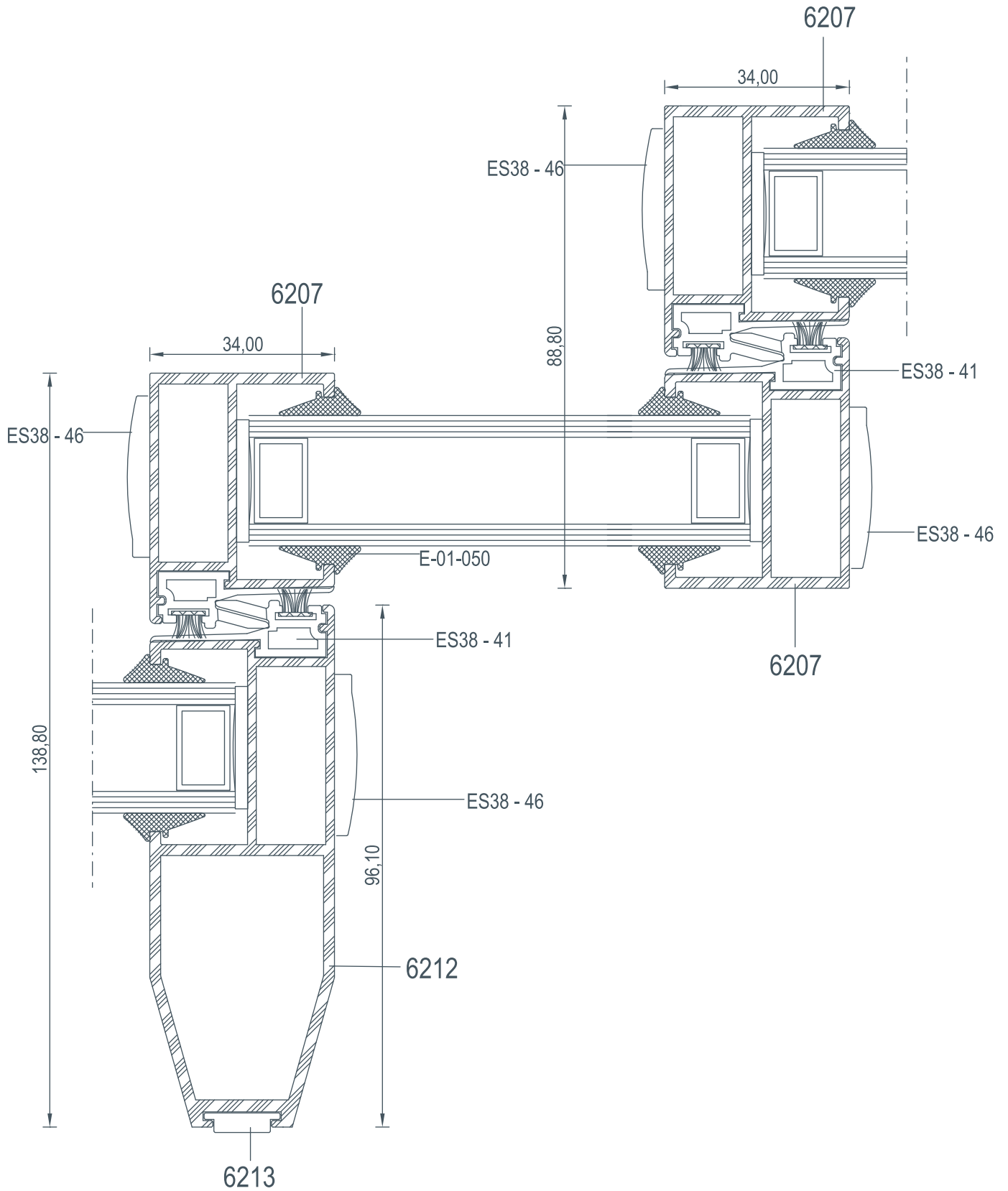
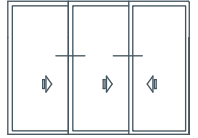


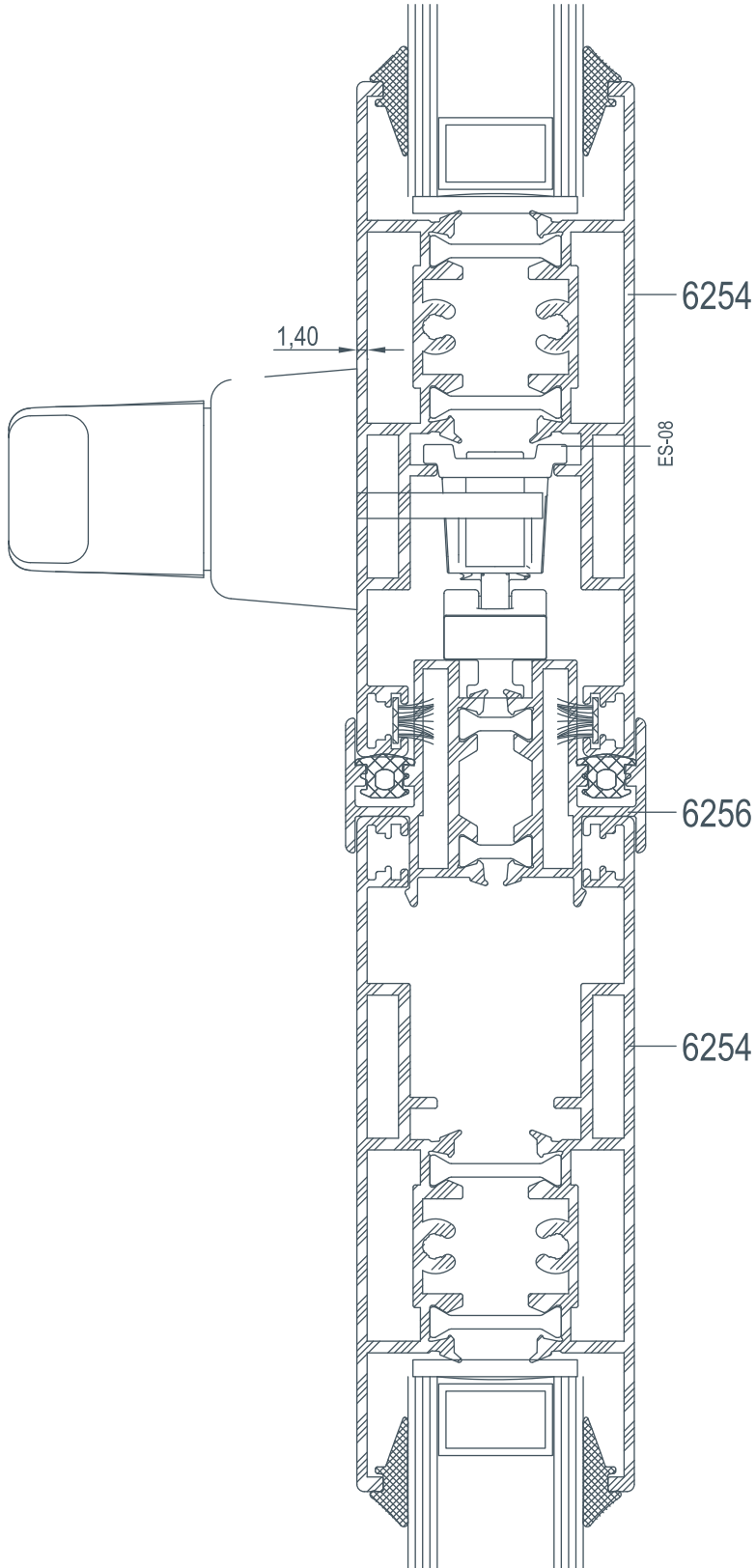
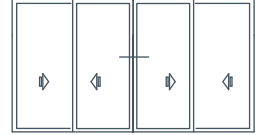


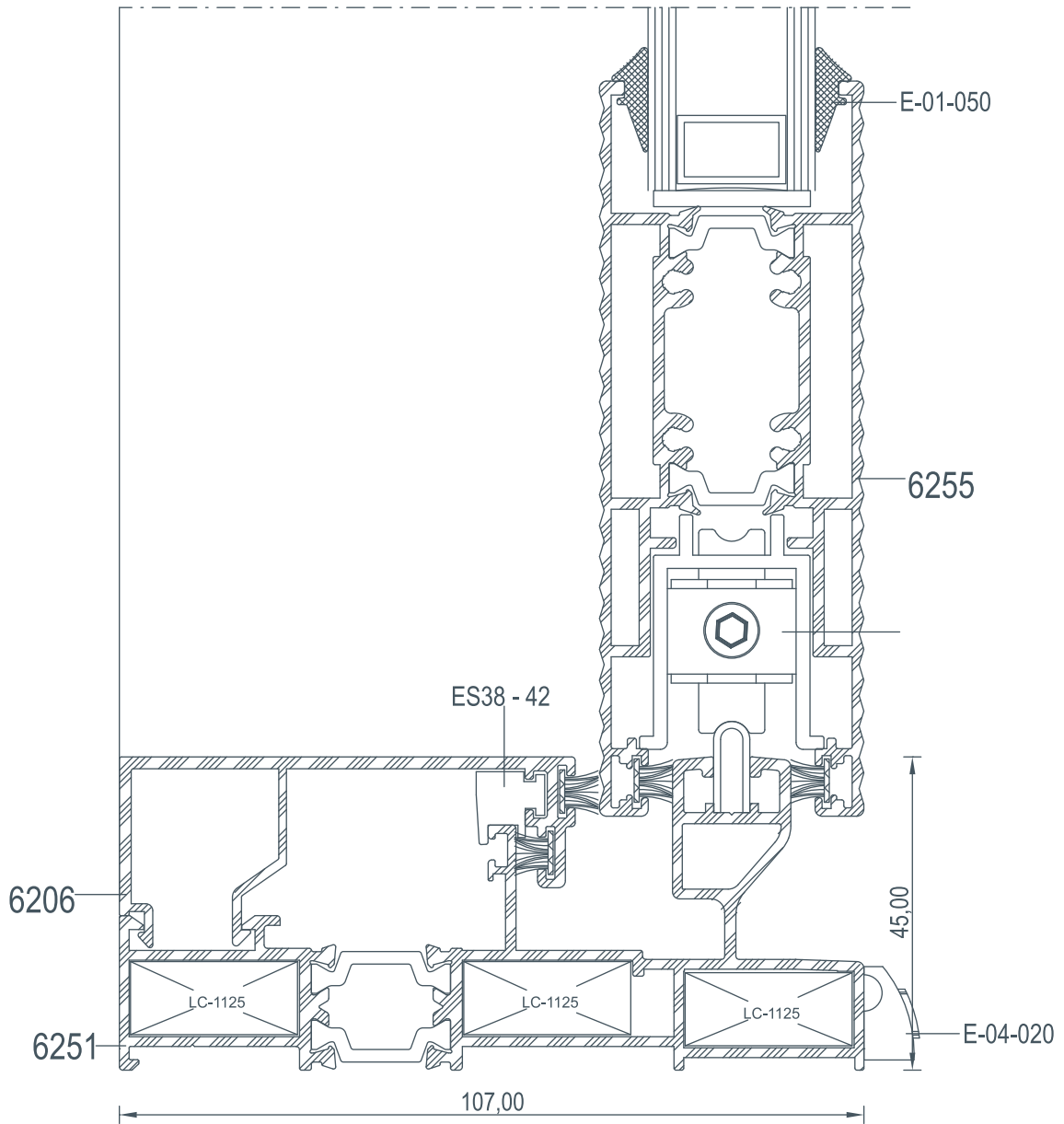
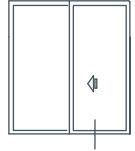


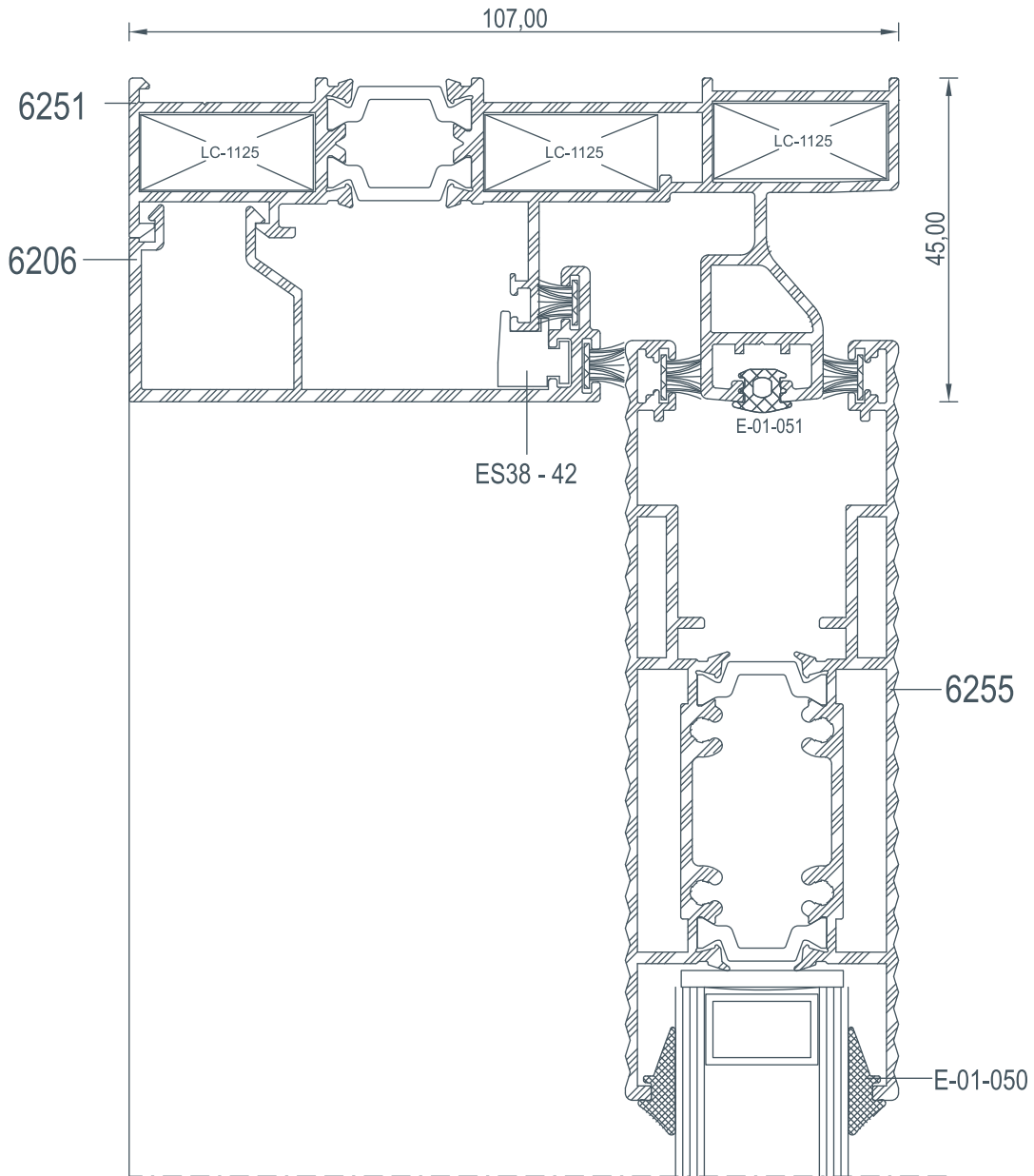
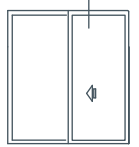


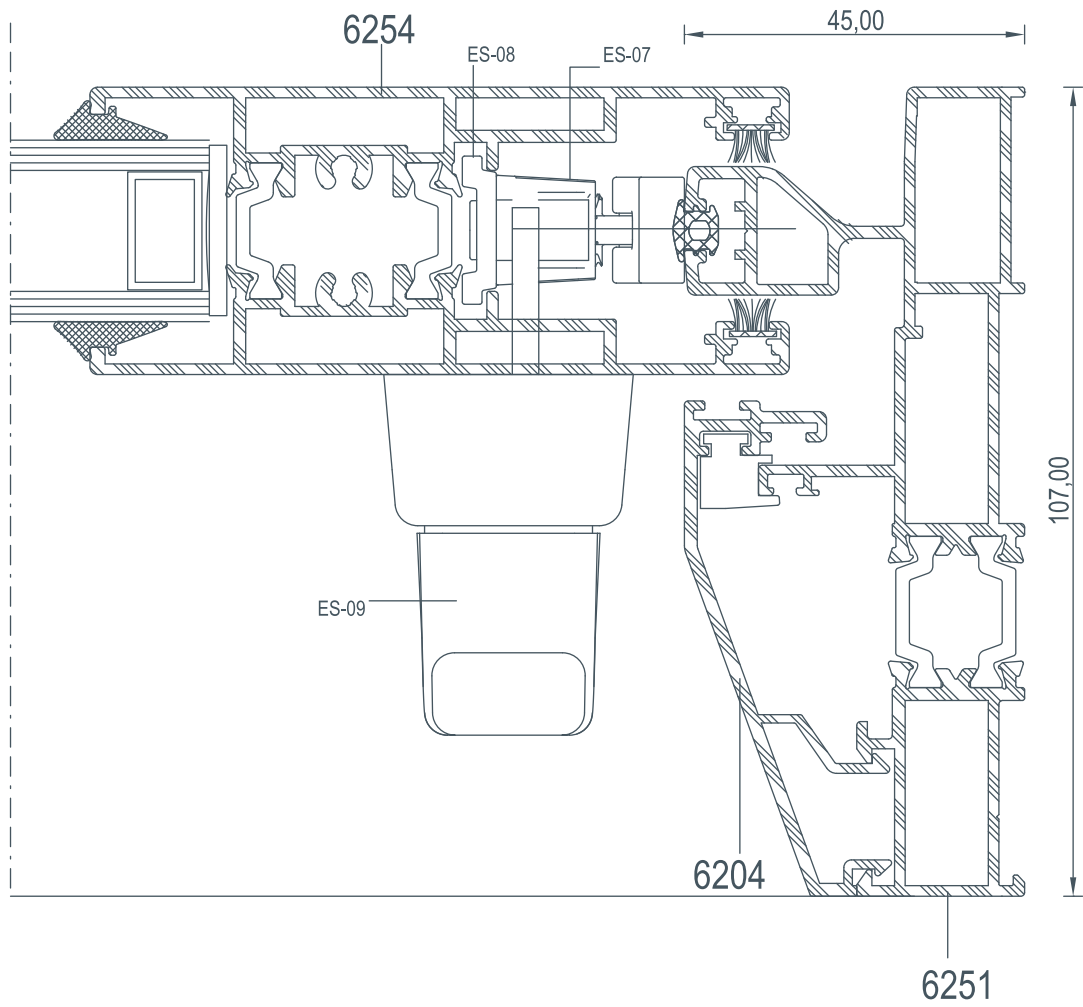
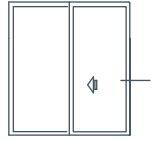


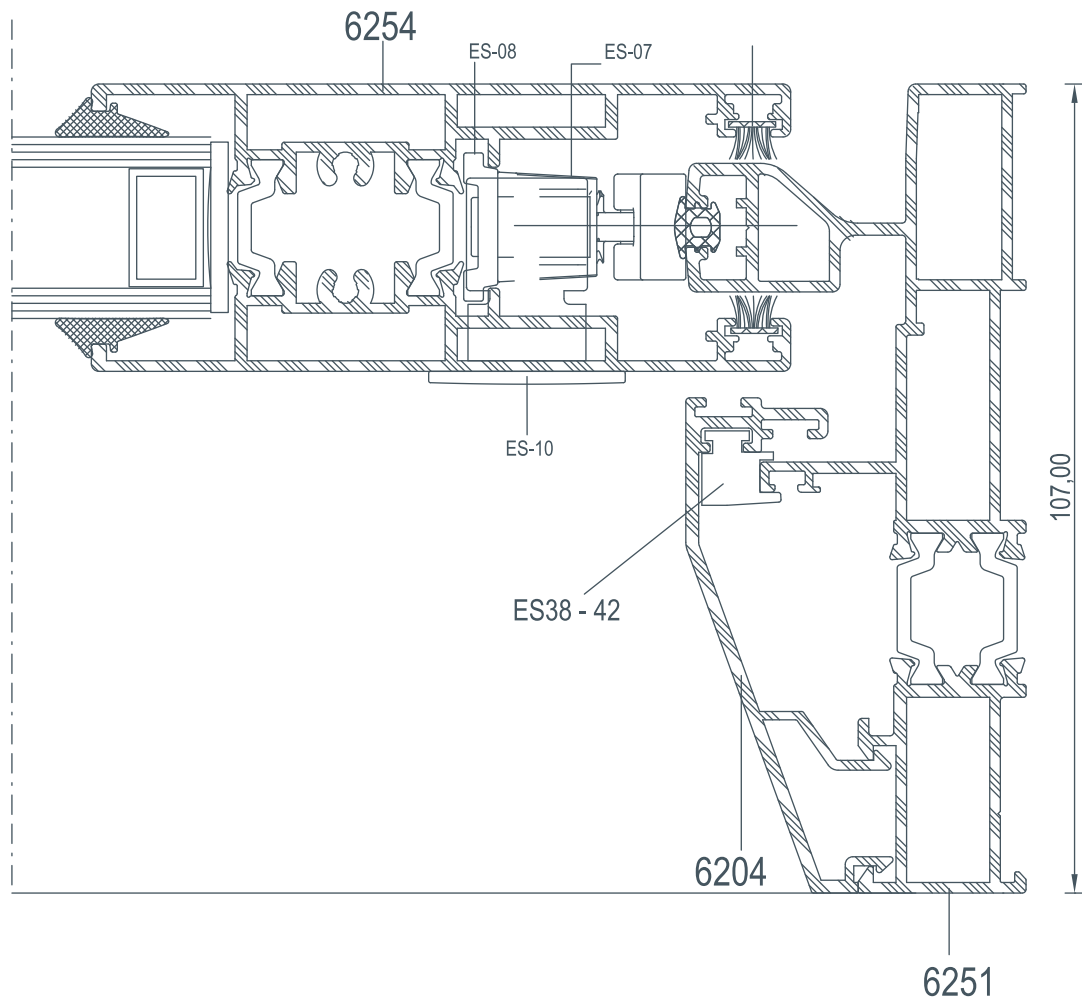
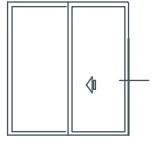


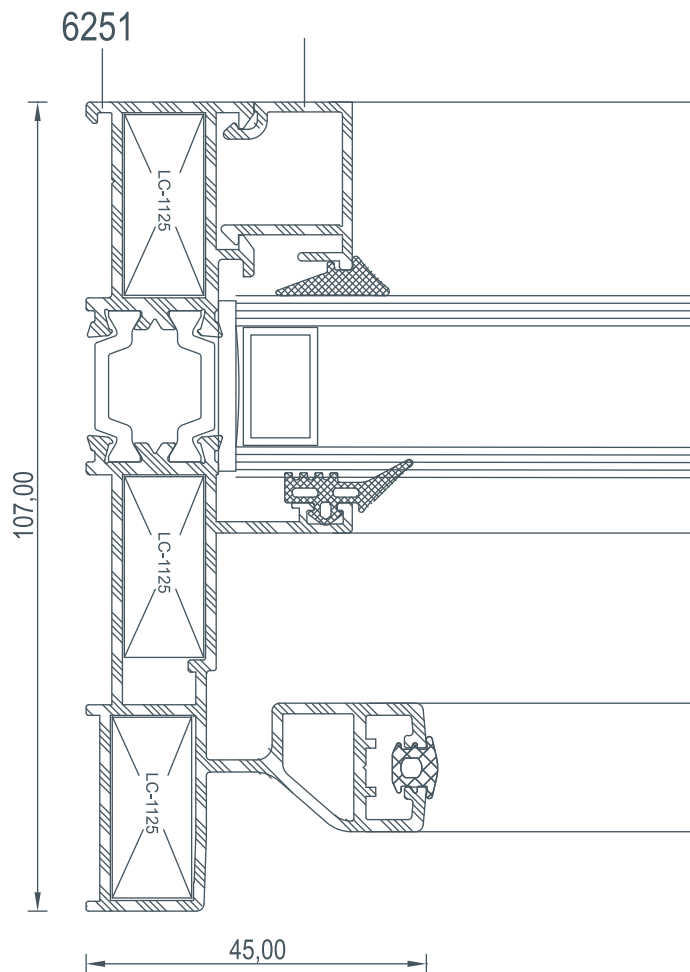
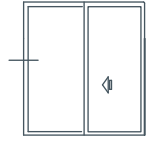


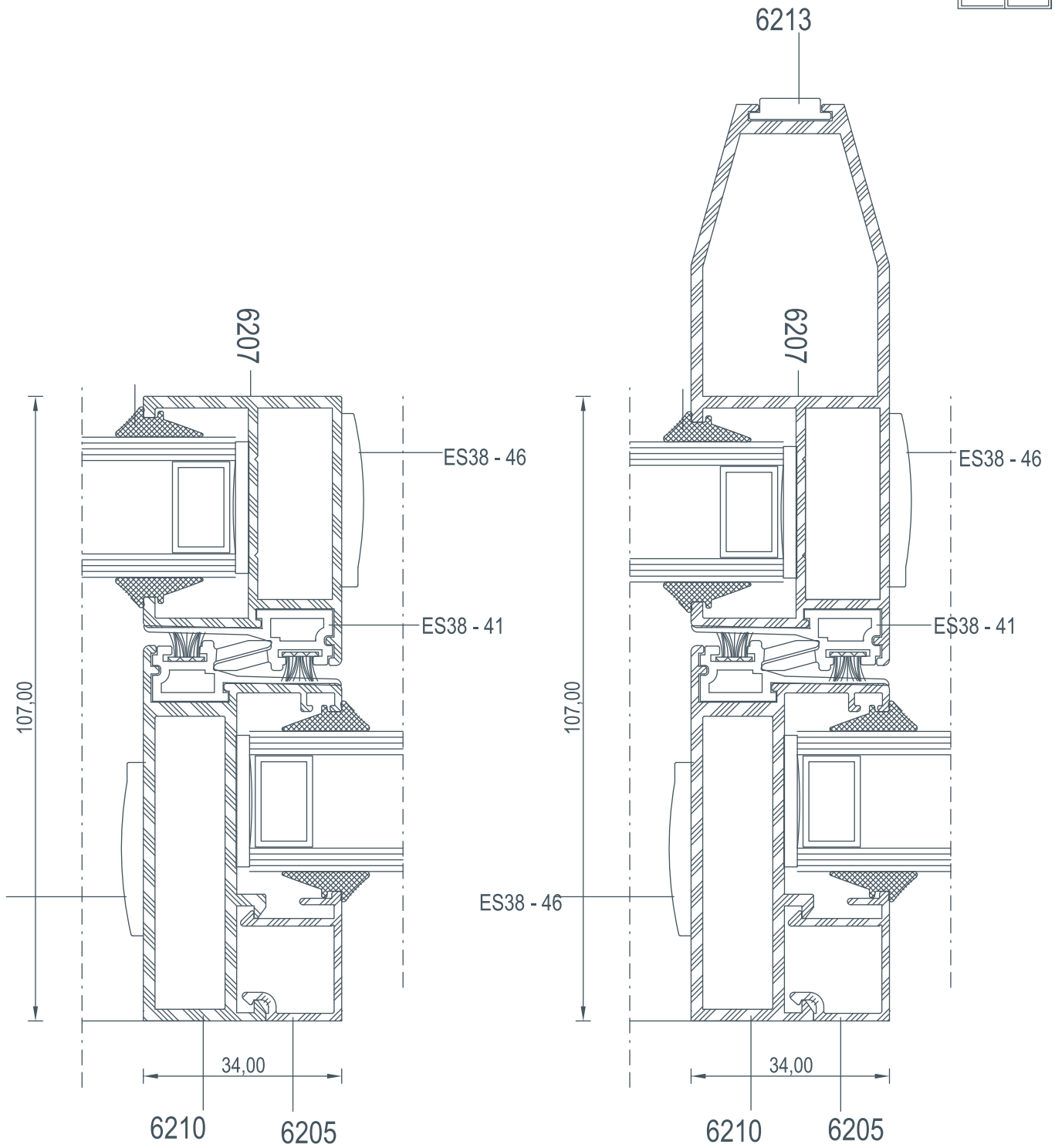
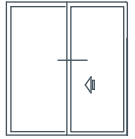


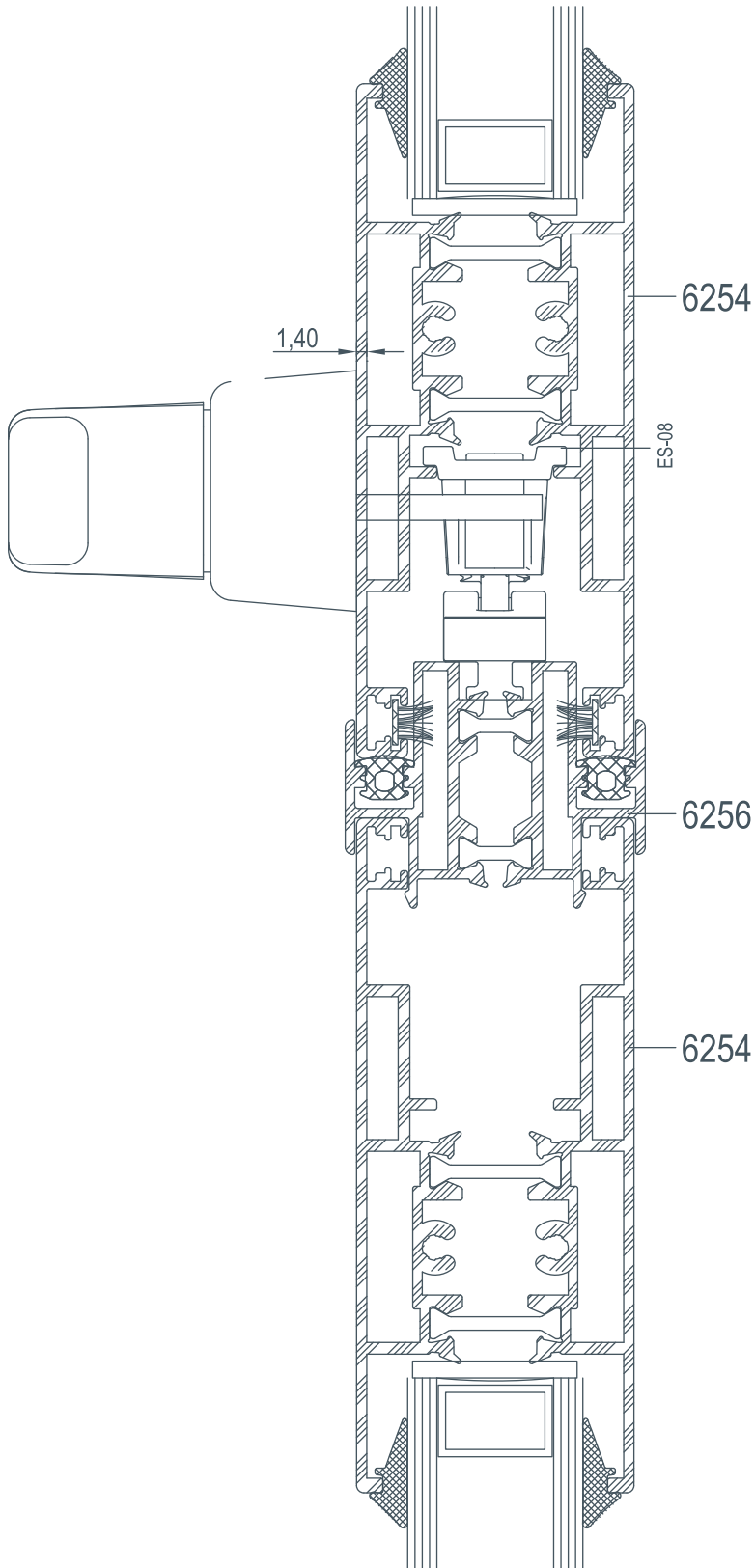
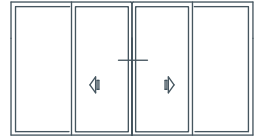














ES 38

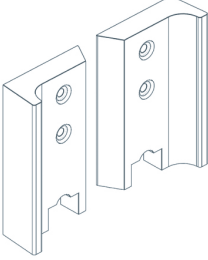
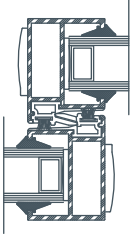

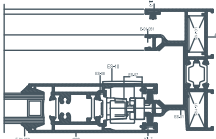
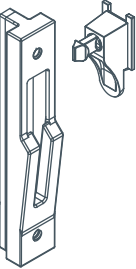
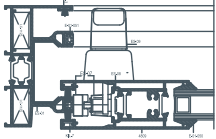

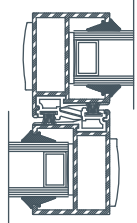

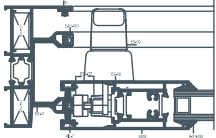
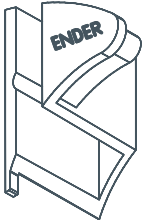
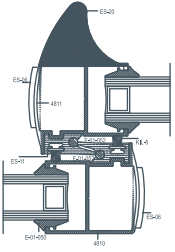

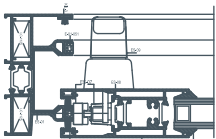
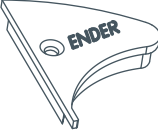
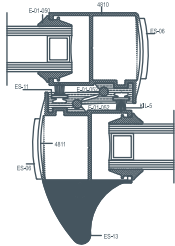
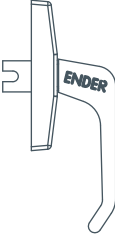
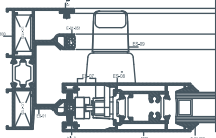
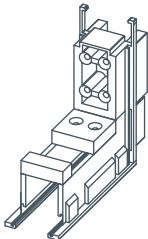
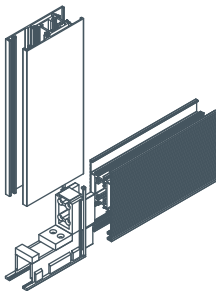
AKSESUARLAR

ACCESSORIES

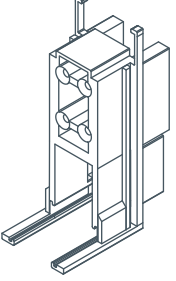
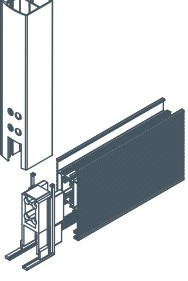
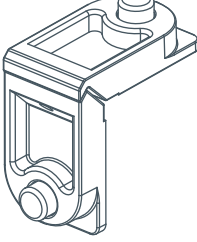
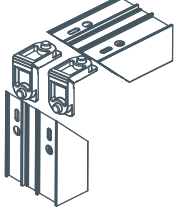
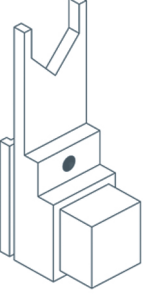
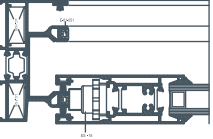
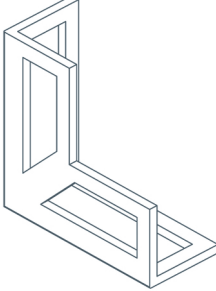
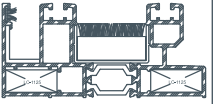
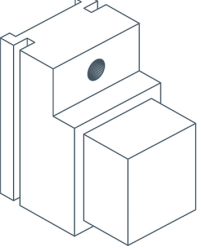
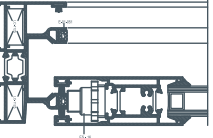

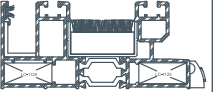

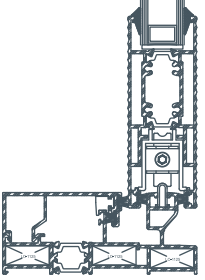



	<p>E-01-050 3mm iç cam fitili 3mm gasket 47 gr/mt</p>			<p>ES38 - 40 Kasa " U " Plastiği " U " Plastic 6 m</p>	
	<p>E-01-051 Ray Fitili Rail gasket 40 gr/mt</p>			<p>ES38 - 43 Tozluk Leggings ADET</p>	
	<p>E-01-027 iç cam fitili Inside gasket 54 gr/mt</p>			<p>ES38 - 44 Sineclik Rulman Roller ADET</p>	
	<p>E-01-028 Dış cam fitili outside gasket 60 gr/mt</p>			<p>ES38 - 45 Rulman Roller ADET</p>	
	<p>KİL-1 Kıl fitil Brush</p>			<p>E-16-003 Çelik Ray Steel Rail 6 m</p>	



	<p>ES38 - 46 Kapak (Pvc) Cover (Pvc) (Alt & Üst) (Lower & Upper) ADET</p>			<p>ES - 10 Havuz Kol Pool Handle ADET</p>	
	<p>ES - 7 Kilit & Karşılık Lock & Counter Takım</p>			<p>ES38 - 41 Kenet Plastiği Clamp Plastic 6 m</p>	
	<p>ES - 8-K Tij Profili (Kapı) Tij Profile (Door) ADET</p>			<p>ES38 - 47 Kapak (Pvc) Cover (Pvc) (Alt & Üst) (Lower & Upper) ADET</p>	
	<p>ES - 8-P Tij Profili (Pencere) Tij Profile (Window) ADET</p>			<p>ES38 - 48 Kapak (Pvc) Cover (Pvc) (Alt & Üst) (Lower & Upper) ADET</p>	
	<p>ES - 9 Eksenel Kol Axial Handle ADET</p>			<p>ES38 - 49 90° Kanat Köşe Takoğu 90° Sash corner wenge (Alt & Üst) (Lower & Upper) ADET</p>	



	<p>ES38 - 50 90° Kenet Köşe Takoðu 90° Locking corner wenge (Alt & Üst) (Lower & Upper) ADET</p>			<p>LC - 1125 Kasa Köşe Takoðu Frame corner wenge (Alt & Üst) (Lower & Upper) ADET</p>	
	<p>ES38 - 51 Stoper Stopper (Alt & Üst) (Lower & Upper) ADET</p>			<p>ES38 - 53 Pvc Köşe Çavuşu Pvc Corner Cleat ADET</p>	
	<p>ES38 - 52 Sineklik Stoper Stopper (Alt & Üst) (Lower & Upper) ADET</p>			<p>E-04-020 Tahliye Tapası Water Drain Cover ADET</p>	
	<p>ES38 - 42 Sabit Çıta Yastığı Plastic Pillow of Glazing Bead ADET</p>				
	<p>ES - 19 Dış Havuz Kol Pool Handle ADET</p>	