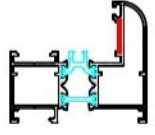
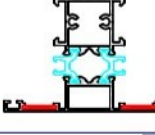
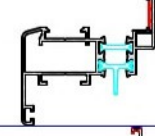
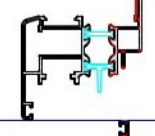
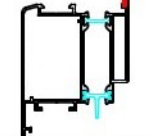
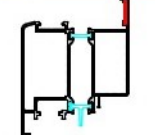








E 50

E 50 - YALITIMLI PENCERE & KAPI SİSTEM KATALOĞU

E 50 - ISOLATED WINDOWS & DOORS SYSTEM CATALOGUE

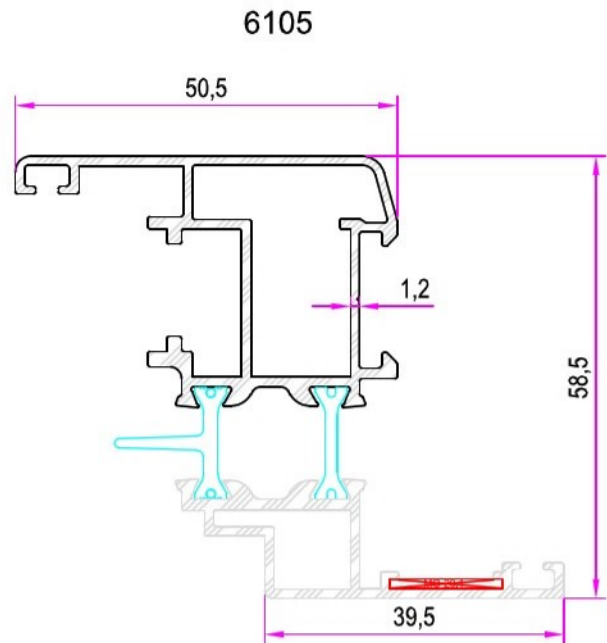
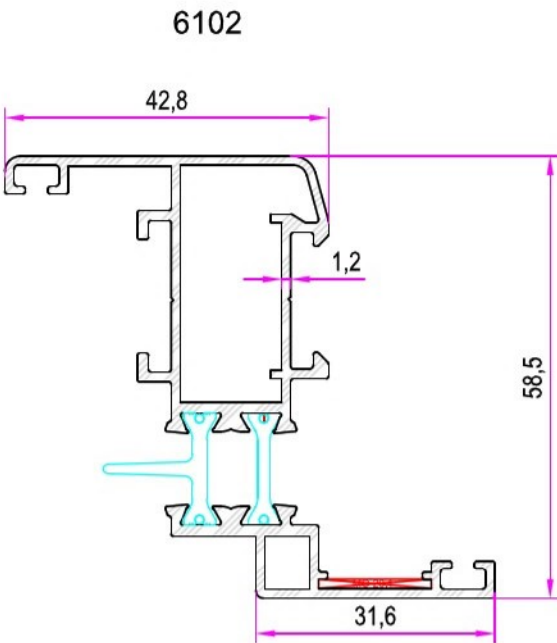
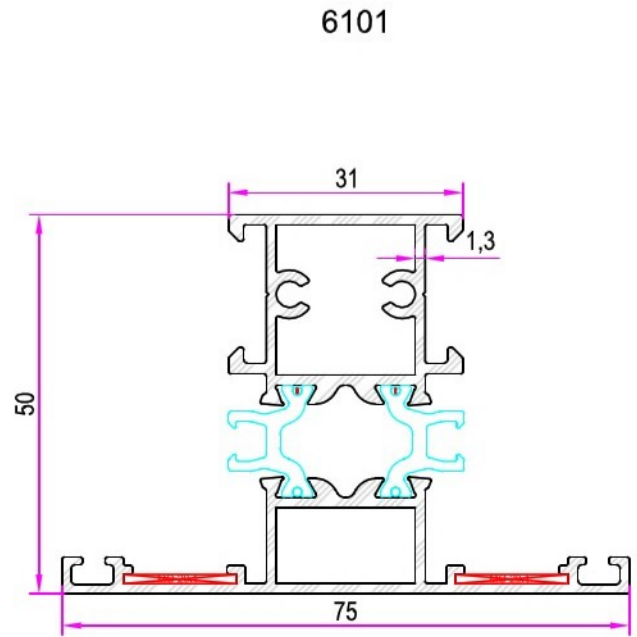
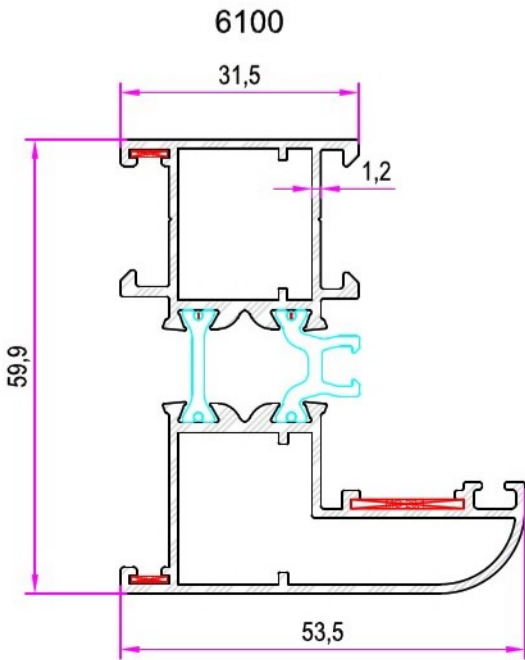
| KOD CODE | PROFİL KESİTİ PROFILE VIEW | PROFİL AÇIKLAMASI PROFILE DESCRIPTION | AĞIRLIK (kg/m) WEIGHT | Jxx cm4 | Jyy cm4 | Wxx cm3 | Wyy cm3 |
|-------------|---|--|-----------------------------|------------|------------|------------|------------|
| 6100 |  | KASA PROFİLİ FRAME PROFILE | 1,133 | 6,57 | 17,23 | 4,20 | 1,38 |
| 6101 |  | ORTA KAYIT PROFİLİ MULLION PROFILE | 1,183 | 10,66 | 13,03 | 4,53 | 1,42 |
| 6102 |  | KANAT PROFİLİ SASH PROFILE | 1,001 | 4,09 | 18,23 | 4,95 | 3,08 |
| 6105 |  | KANAT PROFİLİ SASH PROFILE | 1,176 | 6,39 | 21,26 | 5,44 | 3,24 |
| 6103 |  | KANAT PROFİLİ SASH PROFILE | 1,476 | 39,14 | 17,69 | 7,39 | 3,73 |
| 6104 |  | KANAT PROFİLİ SASH PROFILE | 1,597 | 44,44 | 18,95 | 7,39 | 3,85 |
| 5119 |  | CAM ÇITASI PROFİLİ GLAZING BEAD | 0,251 | 47,10 | 29,10 | 9,18 | 6,10 |
| 5121 |  | CAM ÇITASI PROFİLİ GLAZING BEAD | 0,260 | 30,76 | 19,90 | 5,65 | 5,04 |
| 5535 |  | CAM ÇITASI PROFİLİ GLAZING BEAD | 0,305 | 32,90 | 21,73 | 6,05 | 5,46 |
| 5536 |  | CAM ÇITASI PROFİLİ GLAZING BEAD | 0,312 | 24,59 | 3,60 | 5,76 | 1,87 |
| | | | | | | | |
| | | | | | | | |

PROFILLER
PROFILES

E 50 - (yalıtlı seri)
E 55 - (insulation series)

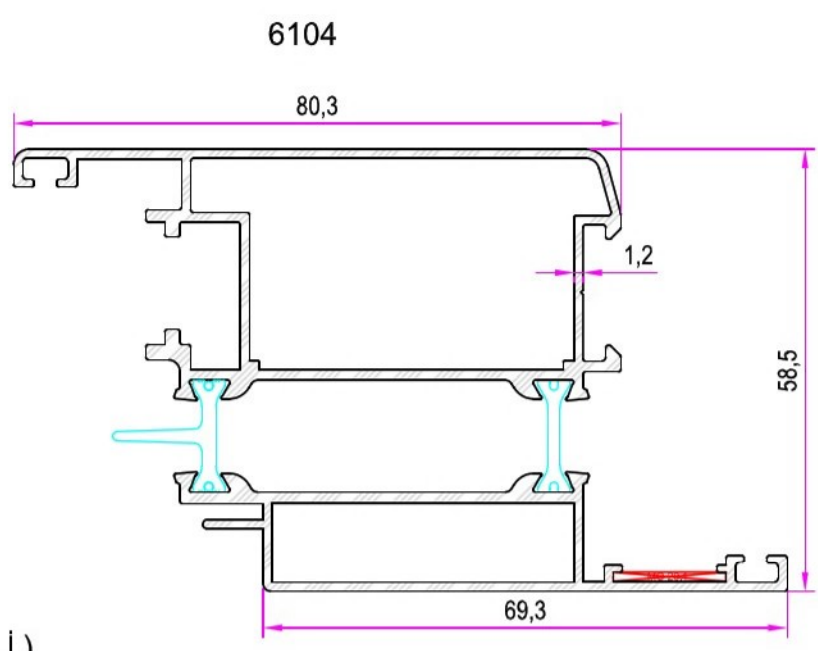
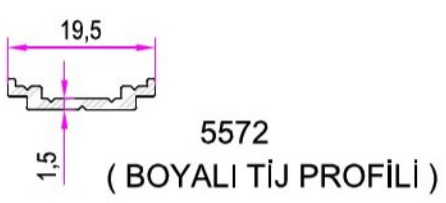
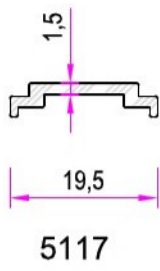
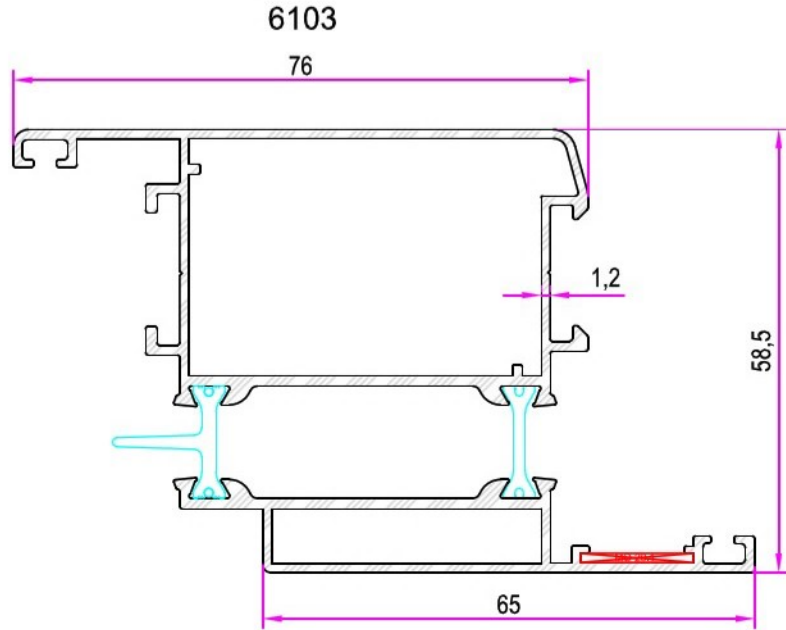


| KOD / CODE | AĞIRLIK (kg/m) / WEIGHT | Jxx cm ⁴ | Jyy cm ⁴ | Wxx cm ³ | Wyy cm ³ | L m |
|------------|-------------------------|---------------------|---------------------|---------------------|---------------------|-----|
| 6100 | 1,133 | 6,57 | 17,23 | 4,20 | 1,38 | 6 |
| 6101 | 1,183 | 10,66 | 13,03 | 4,53 | 1,42 | 6 |
| 6102 | 1,001 | 4,09 | 18,23 | 4,95 | 3,08 | 6 |
| 6105 | 1,176 | 6,39 | 21,26 | 5,44 | 3,24 | 6 |



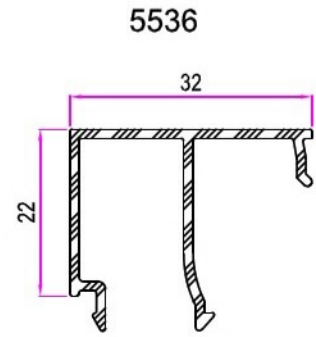
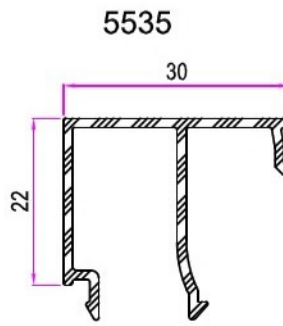
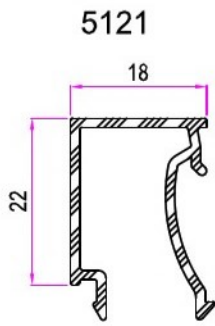
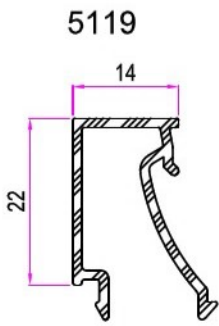


| KOD / CODE | AĞIRLIK (kg/m) / WEIGHT | Jxx cm ⁴ | Jyy cm ⁴ | Wxx cm ³ | Wyy cm ³ | L m |
|------------|-------------------------|---------------------|---------------------|---------------------|---------------------|-----|
| 6103 | 1,476 | 39,14 | 17,69 | 7,39 | 3,85 | 6 |
| 6104 | 1,597 | 44,44 | 18,95 | 9,18 | 6,10 | 6 |
| 5117 | 0,105 | ---- | ---- | ---- | ---- | 6 |
| 5572 | 0,100 | ---- | ---- | ---- | ---- | 6 |





| KOD / CODE | AĞIRLIK (kg/m) / WEIGHT | Jxx cm ⁴ | Jyy cm ⁴ | Wxx cm ³ | Wyy cm ³ | L m |
|------------|-------------------------|---------------------|---------------------|---------------------|---------------------|-----|
| 5119 | 0,251 | ----- | ----- | ----- | ----- | 6 |
| 5121 | 0,260 | ----- | ----- | ----- | ----- | 6 |
| 5535 | 0,305 | ----- | ----- | ----- | ----- | 6 |
| 5536 | 0,312 | ----- | ----- | ----- | ----- | 6 |



CAM ÇİTASI
GLAZING BEAD

İÇ CAM FİTİLİ
GLAZING GASKET

CAM KALINLIĞI
GLASS THICKNESS

DIŞ CAM FİTİLİ
GLAZING GASKET

5119

E-01-027

24mm

E-01-028

5121

E-01-027

20mm

E-01-028

5535

E-01-027

6mm

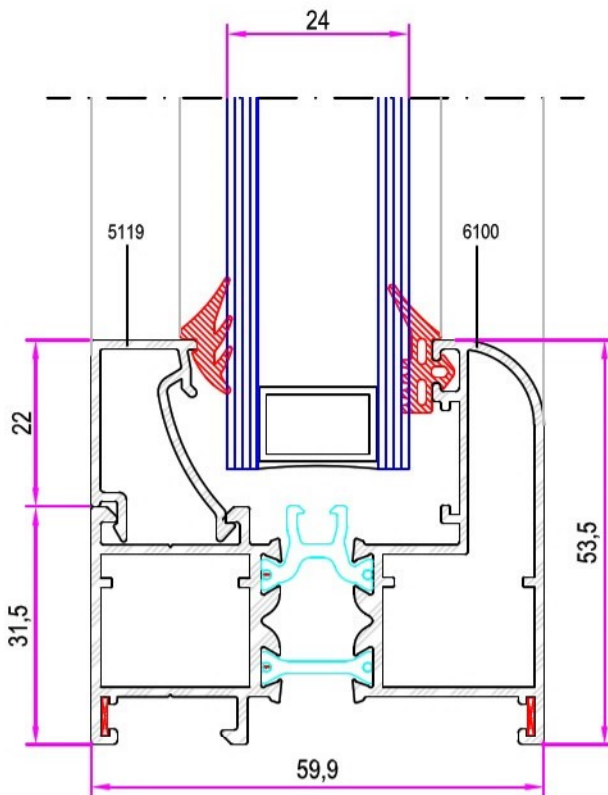
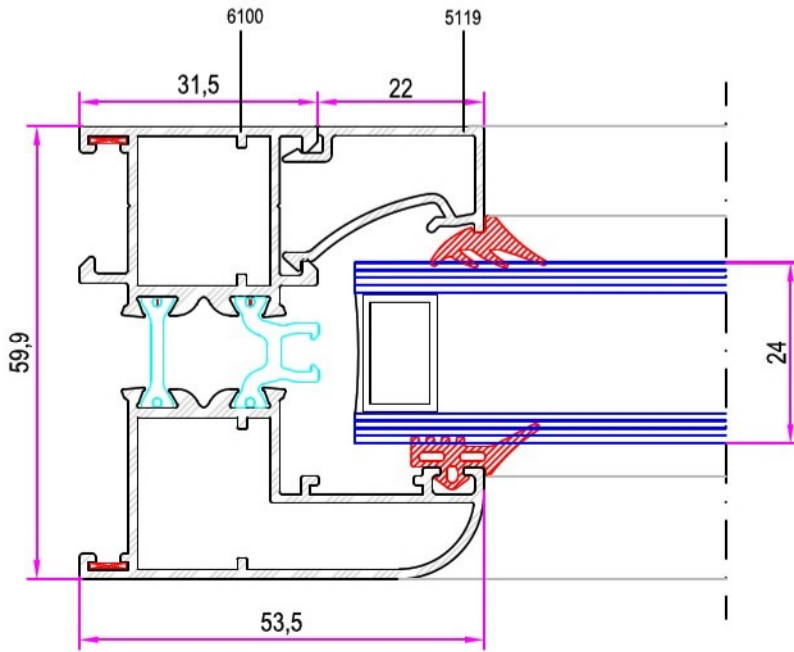
E-01-028

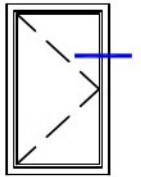
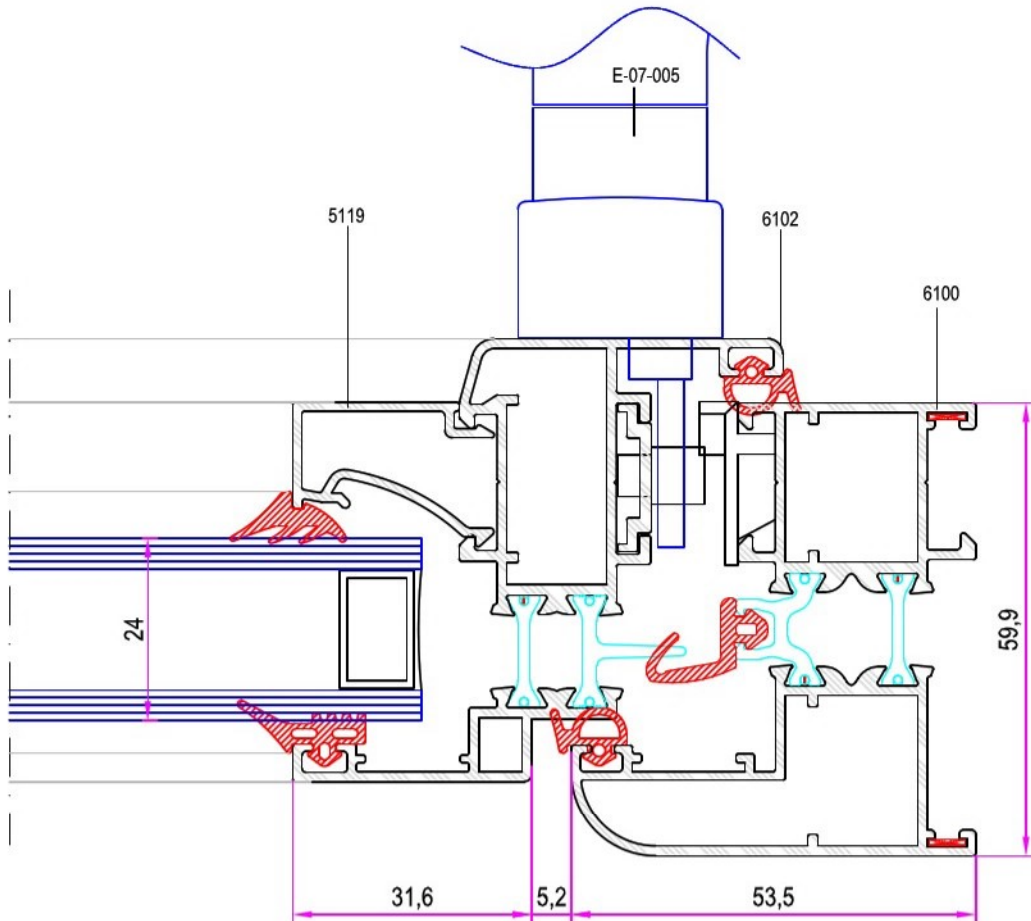
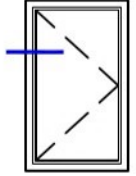
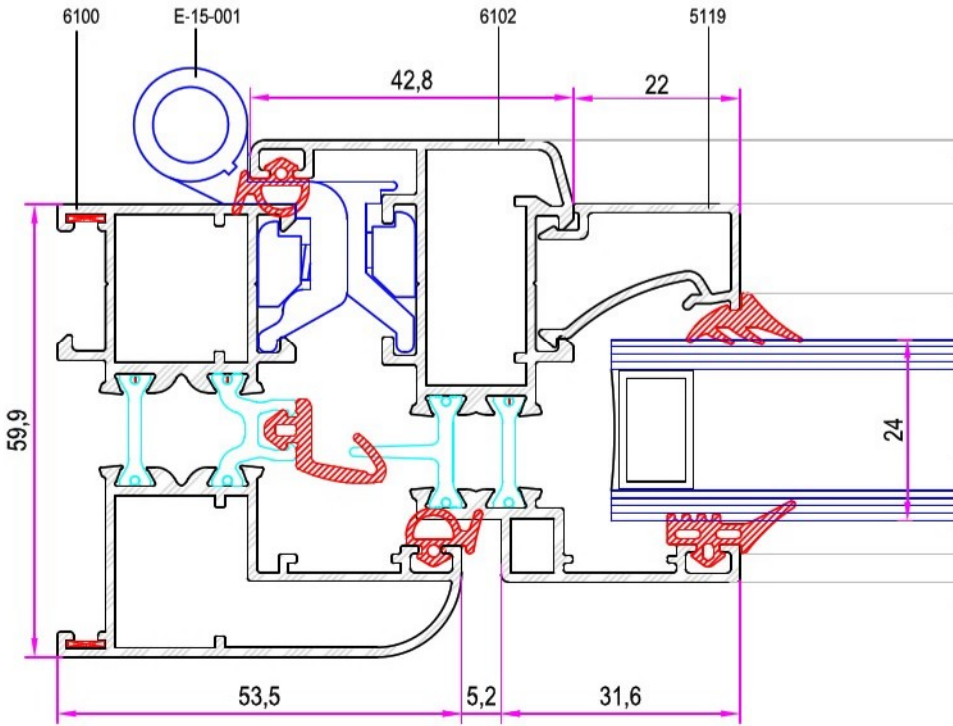
5536

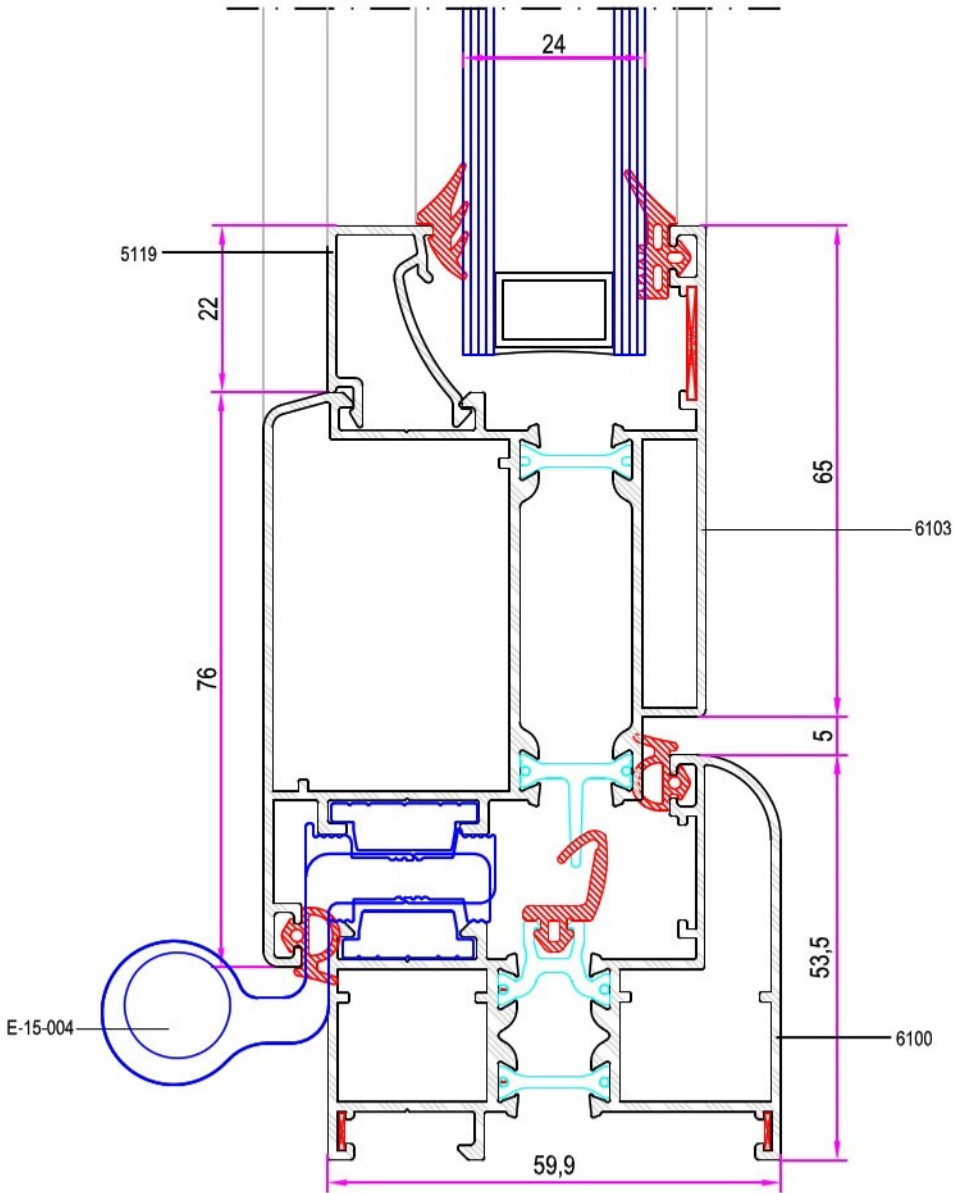
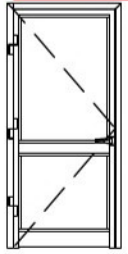
E-01-027

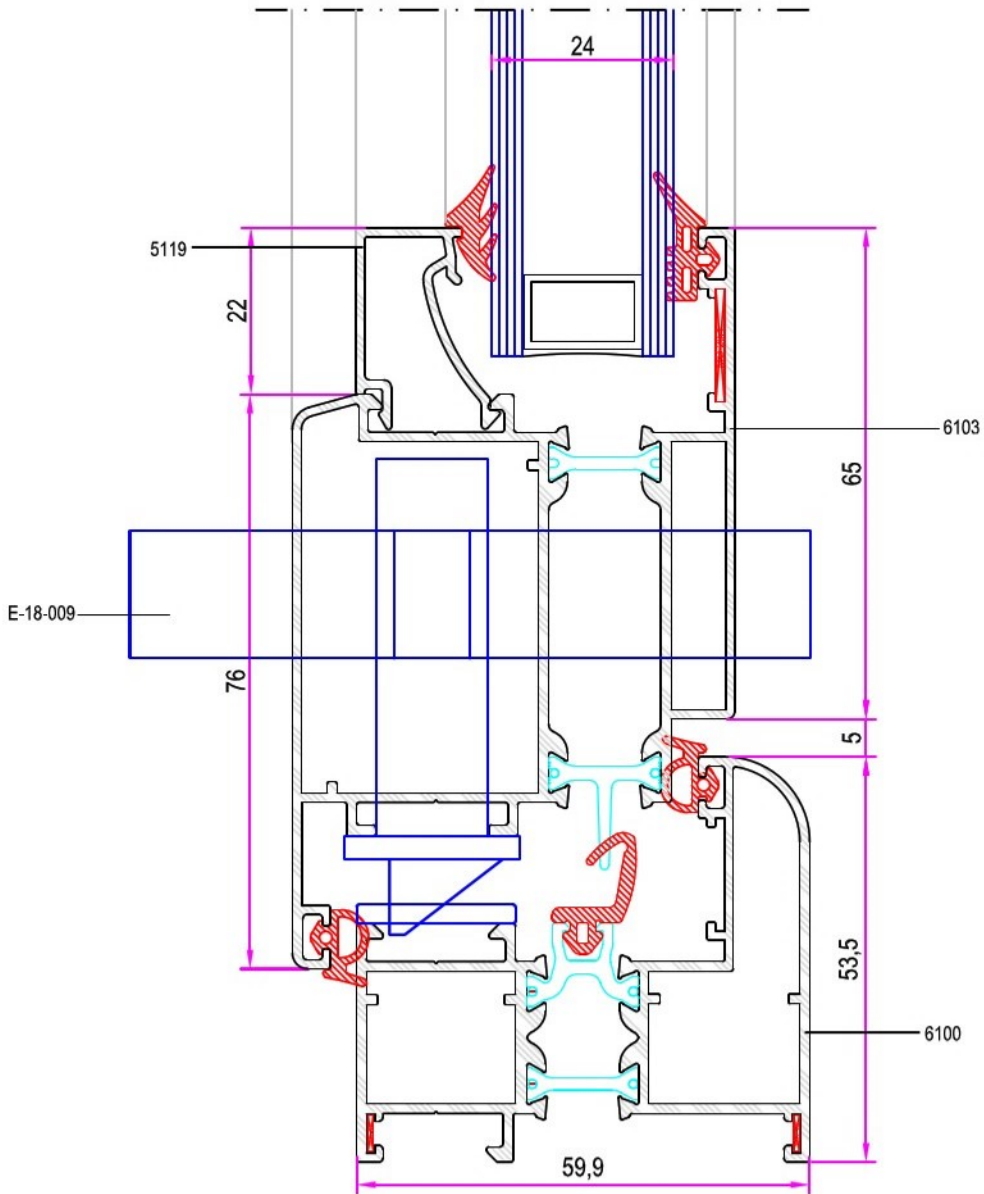
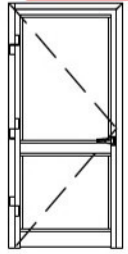
4mm

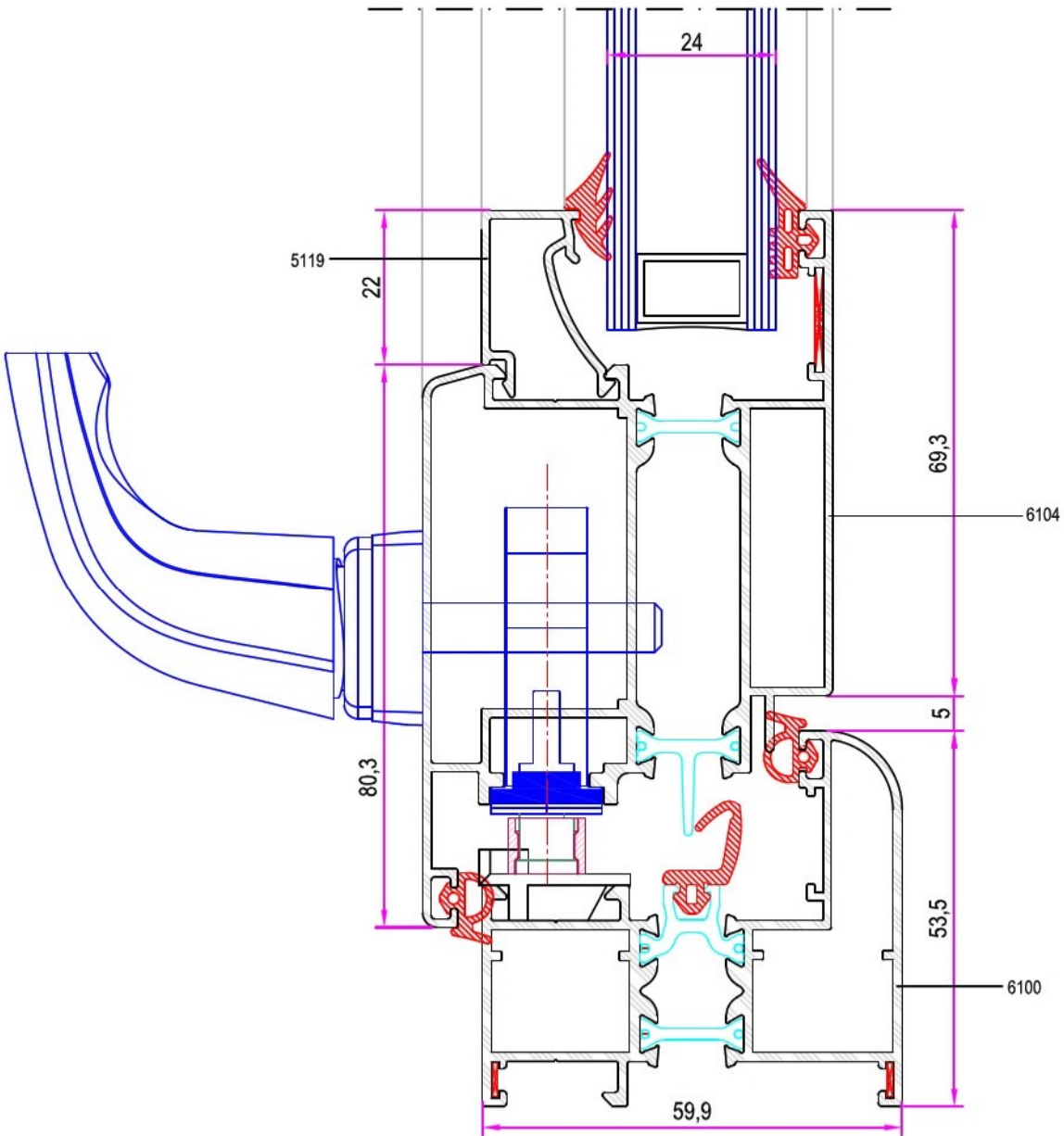
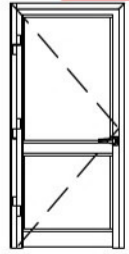
E-01-028




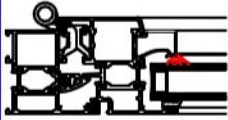
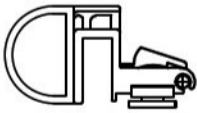
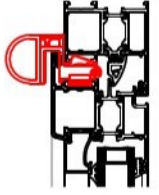

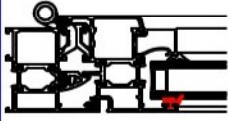
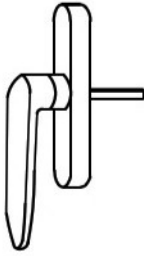
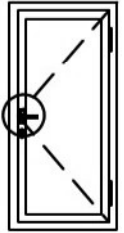

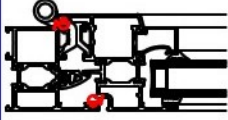
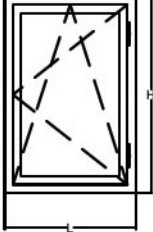
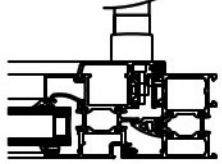

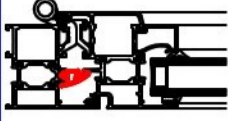

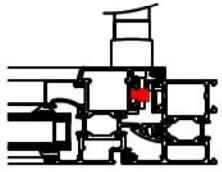

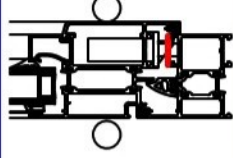
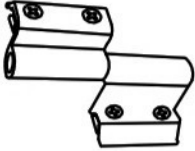

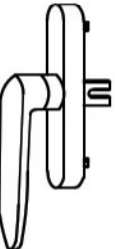
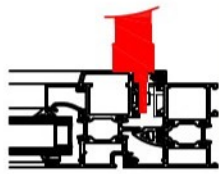

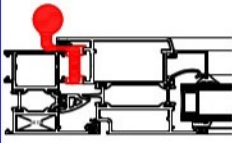



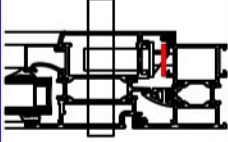



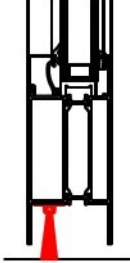


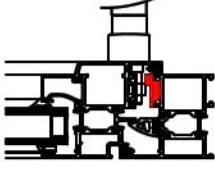

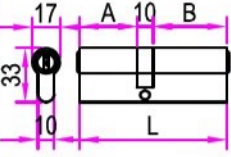
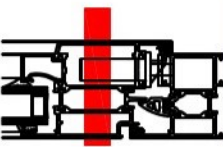
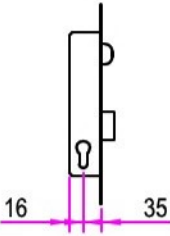
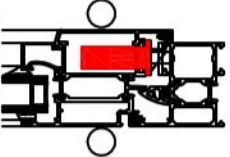
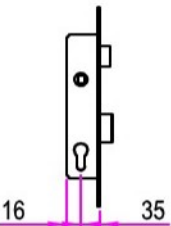
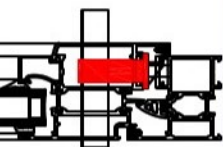






AKSESUARLAR
ACCESSORIES

| | | | | | |
|---|--|---|--|---|---|
|  | <p>E-01-027 iç cam fitili Inside gasket 54 gr/mt</p> |  |  | <p>E-07-004 Vasistas Mandal Vasistas Spring</p> |  |
|  | <p>E-01-028 Dış cam fitili outside gasket 60 gr/mt</p> |  |  | <p>E-07-005 Kapı Kolu Door Handle</p> |  |
|  | <p>E-01-029 Dış Bini Fitili Acoustical Gasket 40 gr/mt</p> |  |  | <p>E-07-006 Çift Açılım Mekanizması Tilt and Turn Mechanism L: 570~1000 mm H: 400~1200 mm</p> |  |
|  | <p>E-01-068 Tozluk Fitili Central gasket 120 gr/mt</p> |  |  | <p>E-13-002 Tij Pimi Lock Pin</p> |  |
|  | <p>E-18-008-1 Makaralı kilit Karşılığı Roller Lock Forend</p> |  |  | <p>E-15-001 Pencere Menteşesi Window Hinge</p> |  |
|  | <p>E-07-003 İspanyolet Kol Window handle</p> |  |  | <p>E-15-004 Kapı Menteşesi Door Hinge</p> |  |

| | | | | | | | | | | | |
|---|---|---|---|----------------|---|----|--|---|---|--|---|
|  | <p>E-18-008 Dilli Kilit Karşılığı Forend</p> |  | | | <p>Kullanıldığı Profiller 6103 6104</p> | | | | | | |
|  | <p>E-23-002 Vasistas Makas Vasistas Accessory</p> |  | | | <p>Kullanıldığı Profiller 6100 6102 6105</p> | | | | | | |
|  | <p>E-17-003 Kapı Altı Fırçası Brush 1 Mt</p> |  |  | <p>MO 20.1</p> | <p>Kullanıldığı Profiller 6100 6101 6102 6103 6104 6105</p> | | | | | | |
|  | <p>E-18-005 Ayarlı Pim Karşılığı Lock Plate</p> |  |  | <p>MK-19</p> | <p>Kullanıldığı Profiller 6100</p> | | | | | | |
|  <table border="1" data-bbox="118 1727 256 1783"> <tr> <td>A</td> <td>B</td> <td>L</td> </tr> <tr> <td>35</td> <td>45</td> <td>90</td> </tr> </table> | A | B | L | 35 | 45 | 90 | <p>E-18-006 Barel Cylinder</p> |  |  | <p>E-18-009-1 Makaralı Kilit Roller Lock</p> |  |
| A | B | L | | | | | | | | | |
| 35 | 45 | 90 | | | | | | | | | |
|  | <p>E-18-009 Dilli Kilit Mortise Lock</p> |  | | | | | | | | | |