

İÇ KAPI SİSTEMLERİ

INDOORS SYSTEMS



ED 50



COD Code	PROFİL KESİTİ Profile View	PROFİL AÇIKLAMASI Profile Description	AGIRLIK (kg/m) Weight	Jxx cm4	Jyy cm4	Wxx cm3	Wyy cm3
8028		AHŞAP KASA PROFİLİ WOOD FRAME PROFILE	1,332	42,17	7,47	7,55	2,31
8027		ALÜMİNYUM KASA PROFİLİ ALUMINIUM FRAME PROFILE	1,219	38,91	5,67	6,85	2,13
8026		CAM KAPI KANAT PROFİLİ GLAZING SASH PROFILE	0,569	4,31	1,08	2,05	1,09
8029		KAPI KANAT PROFİLİ DOOR SASH PROFILE	1,350	42,50	17,17	7,27	4,56
8030		ETEK PROFİLİ KICK PROFILE	1,410	65,70	23,29	10,01	7,07
8023		PERVAZ PROFİLİ JAMP PROFILE	0,883	23,32	6,62	4,73	2,52
8022		PERVAZ PROFİLİ JAMP PROFILE	0,980	38,14	9,30	7,56	2,71
8024		PERVAZ PROFİLİ JAMP PROFILE	1,106	61,18	11,43	10,53	2,86
8025		PERVAZ PROFİLİ JAMP PROFILE	1,204	92,53	12,70	13,55	2,95
8021		PERVAZ PROFİLİ JAMP PROFILE	0,811	27,76	1,19	5,50	0,92
8031		ADAPTÖR PROFİLİ ADAPTER PROFILE	0,168	0,18	0,05	0,20	0,12



COD Code	PROFIL KESİTİ Profile View	PROFIL AÇIKLAMASI Profile Description	AGIRLIK (kg/m) Weight	Jxx cm4	Jyy cm4	Wxx cm3	Wyy cm3
4219		KÖŞE TAKOZ PROFİLİ CORNER JOINT	3,046	---	---	---	---
5129		KÖŞE TAKOZ PROFİLİ CORNER JOINT	4,618	---	---	---	---
5118		CAM ÇITASI PROFİLİ GLASING BEAD	0,249	---	---	---	---
5119		CAM ÇITASI PROFİLİ GLASING BEAD	0,251	---	---	---	---
5120		CAM ÇITASI PROFİLİ GLASING BEAD	0,255	---	---	---	---
5121		CAM ÇITASI PROFİLİ GLASING BEAD	0,260	---	---	---	---
5122		CAM ÇITASI PROFİLİ GLASING BEAD	0,267	---	---	---	---
5123		CAM ÇITASI PROFİLİ GLASING BEAD	0,274	---	---	---	---
5124		CAM ÇITASI PROFİLİ GLASING BEAD	0,281	---	---	---	---
5125		CAM ÇITASI PROFİLİ GLASING BEAD	0,92	---	---	---	---
5126		CAM ÇITASI PROFİLİ GLASING BEAD	0,308	---	---	---	---



COD Code	PROFIL KESİTİ Profile View	PROFIL AÇIKLAMASI Profile Description	AGIRLIK (kg/m) Weight	Jxx cm4	Jyy cm4	Wxx cm3	Wyy cm3
5535		CAM ÇITASI PROFİLİ GLASING BEAD	0,305	---	---	---	---
5536		CAM ÇITASI PROFİLİ GLASING BEAD	0,325	---	---	---	---
5537		CAM ÇITASI PROFİLİ GLASING BEAD	0,331	---	---	---	---



ED 50

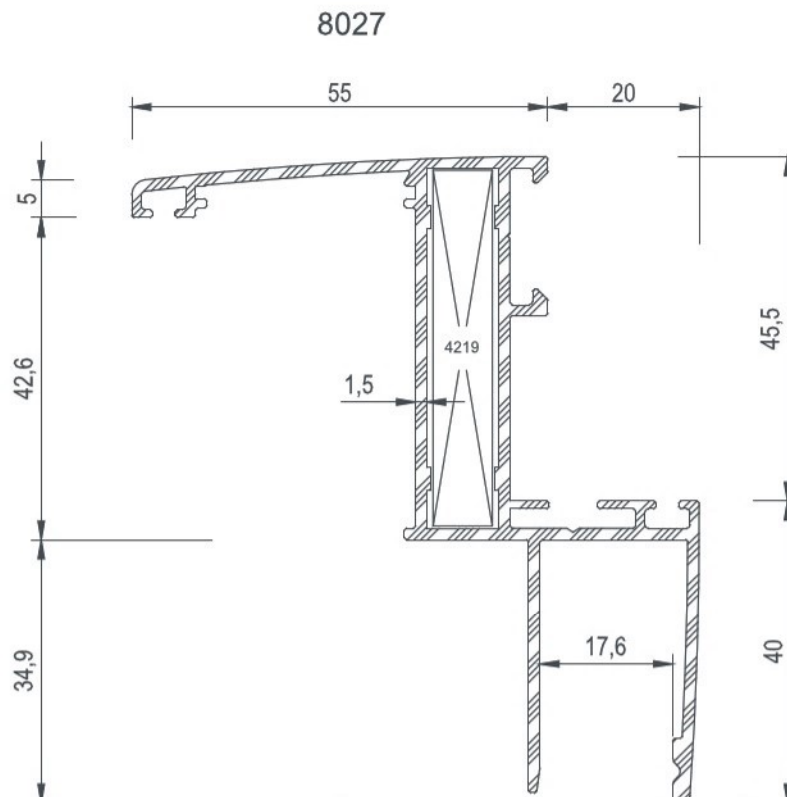
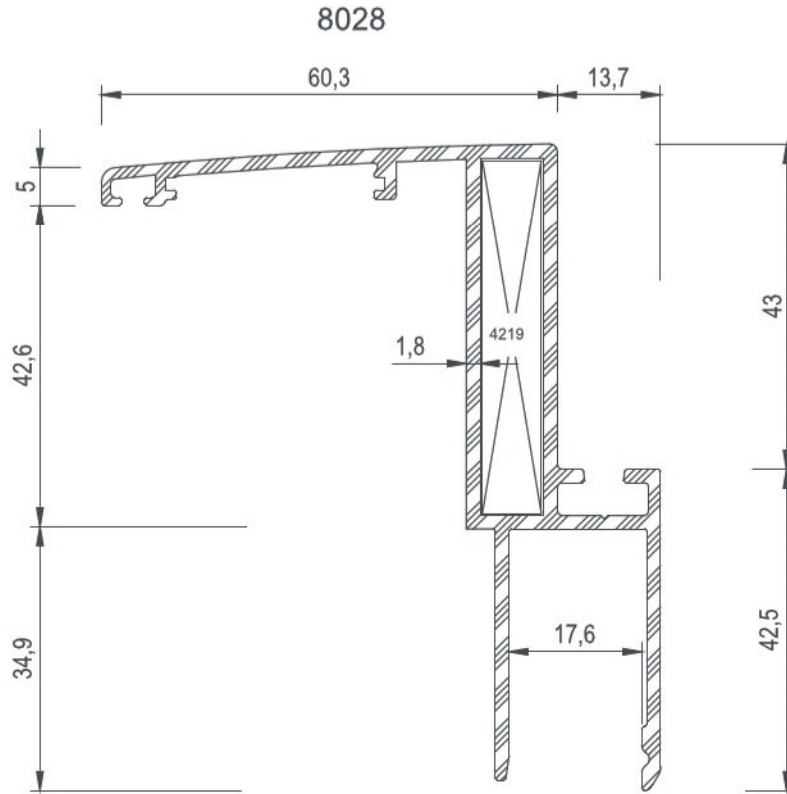
PROFİLLER

PROFILES

iÇ KAPI SİSTEMLERİ
INDOORS SYSTEMS



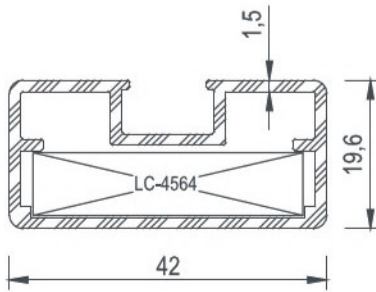
COD Code	AGIRLIK (kg/m) Weight	Jxx cm ⁴	Jyy cm ⁴	Jxx cm ³	Jyy cm ³	L m
8028	1,332	42,17	7,47	7,55	2,31	6
8027	1,219	38,91	5,67	6,85	2,13	6



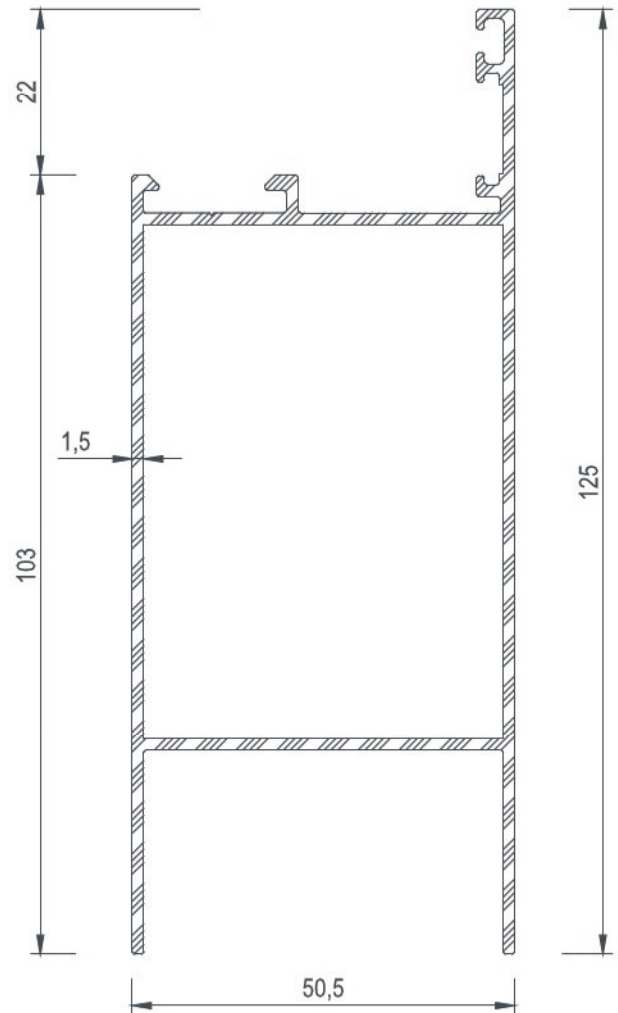


COD Code	AGIRLIK (kg/m) Weight	Jxx cm ⁴	Jyy cm ⁴	Jxx cm ³	Jyy cm ³	L m
8026	0,569	4,31	1,08	2,05	1,09	6
8029	1,350	42,50	17,17	7,27	4,56	6
8030	1,410	65,70	23,29	10,01	7,07	6
8031	0,168	0,18	0,05	0,20	0,12	6

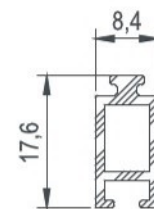
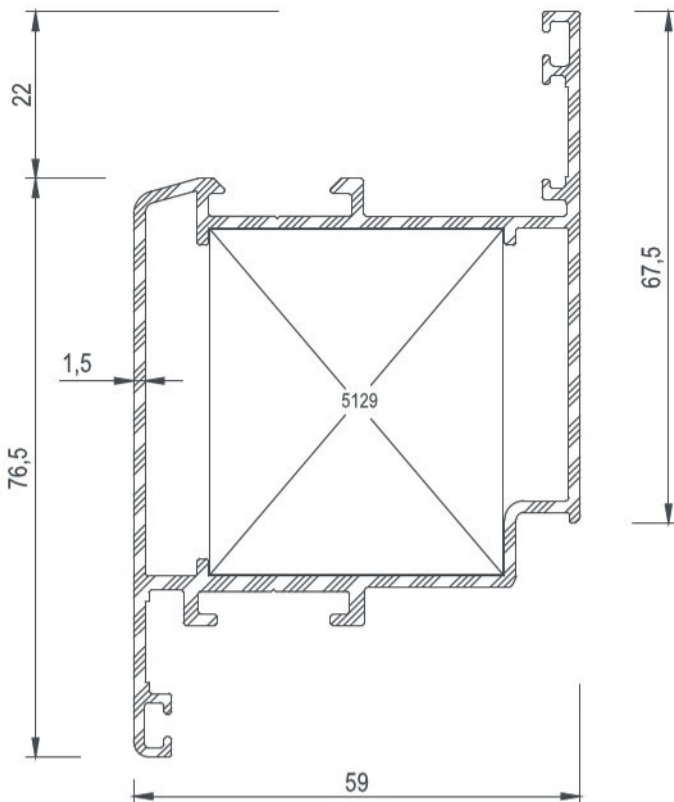
8026



8030



8029

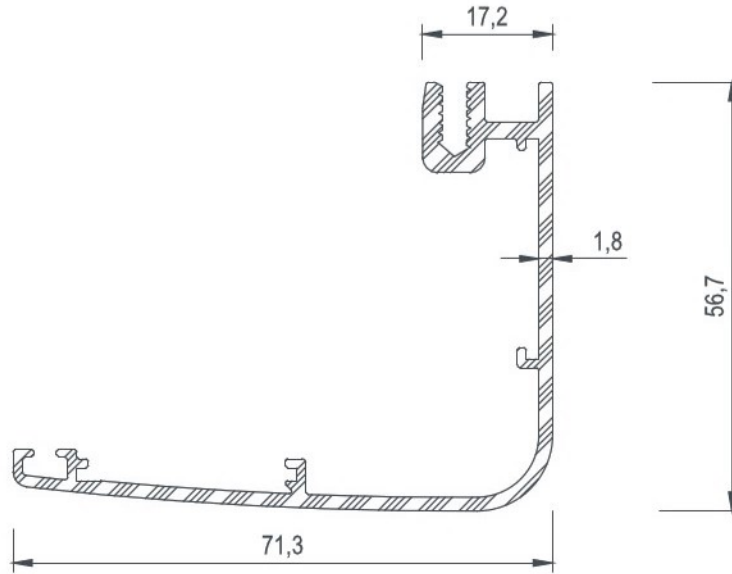


8031

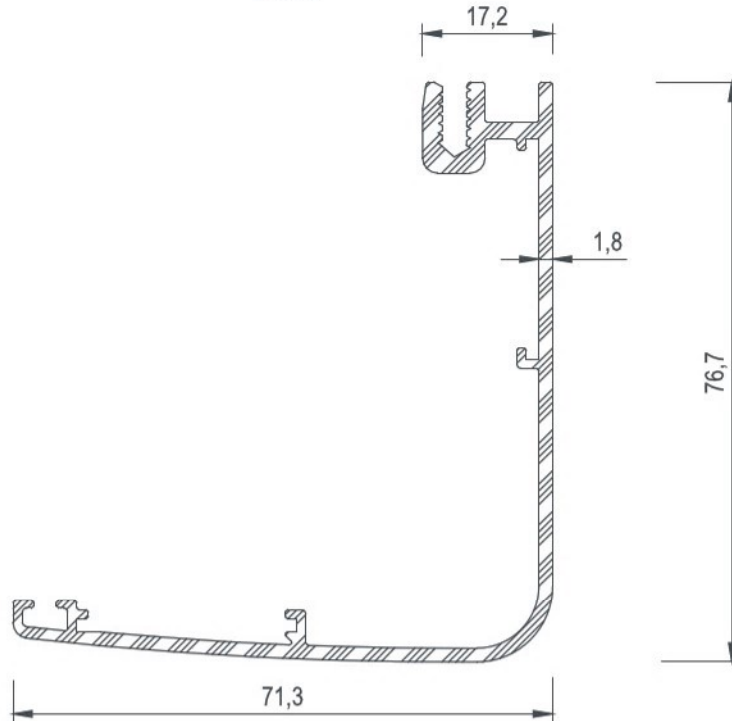


COD Code	AGIRLIK (kg/m) Weight	Jxx cm ⁴	Jyy cm ⁴	Jxx cm ³	Jyy cm ³	L m
8023	0,883	23,32	6,62	4,73	2,52	6
8022	0,980	38,14	9,30	7,56	2,71	6

8023



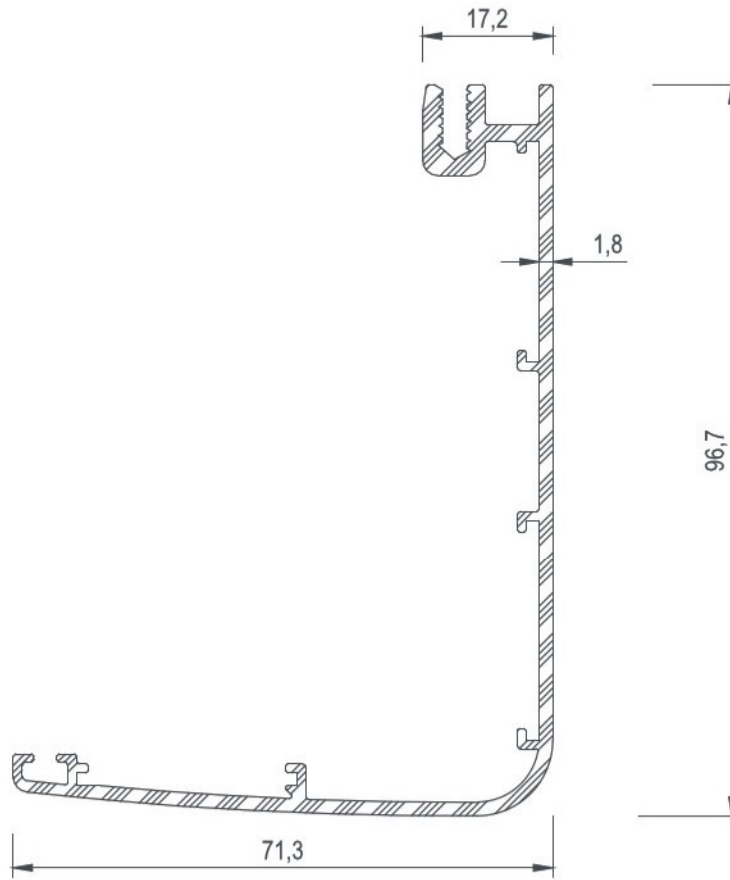
8022





COD Code	AGIRLIK (kg/m) Weight	Jxx cm ⁴	Jyy cm ⁴	Jxx cm ³	Jyy cm ³	L m
8024	1,106	61,18	11,43	10,53	2,86	6

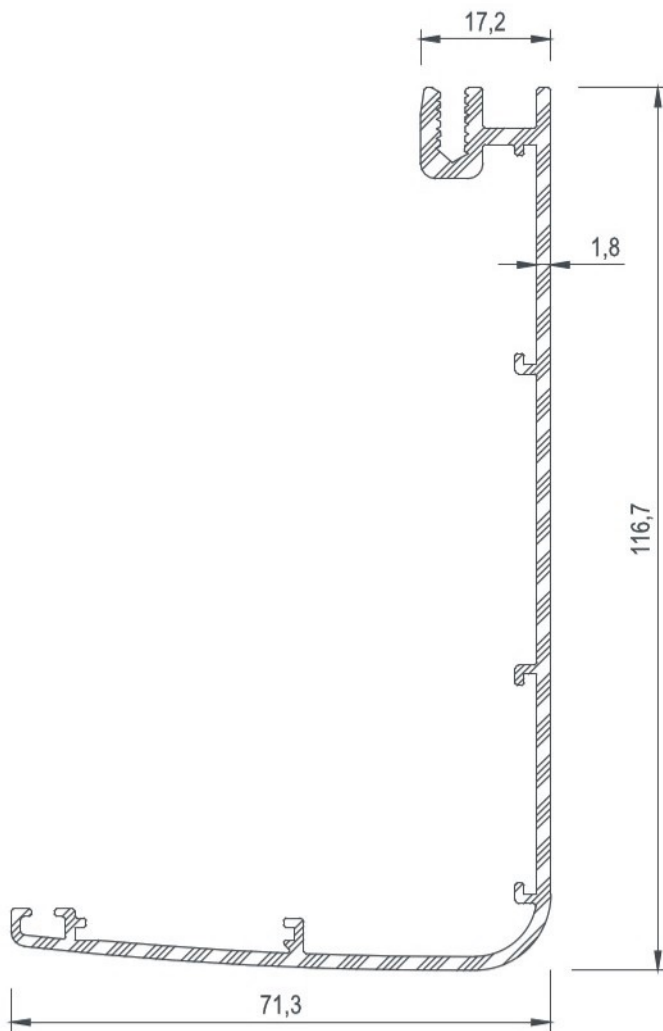
8024



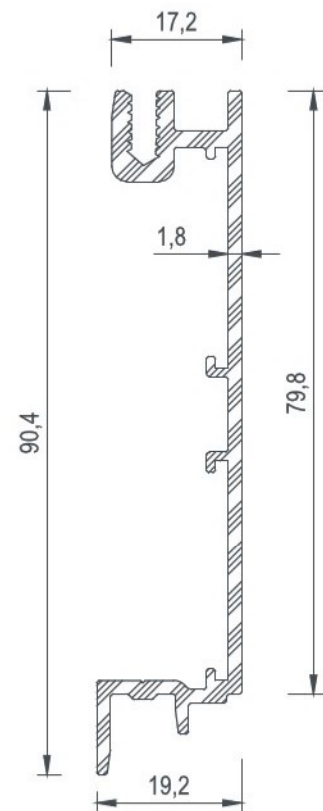


COD Code	AGIRLIK (kg/m) Weight	Jxx cm ⁴	Jyy cm ⁴	Jxx cm ³	Jyy cm ³	L m
8025	1,204	92,53	12,70	13,55	2,95	6
8021	0,811	27,76	1,19	5,50	0,92	6

8025

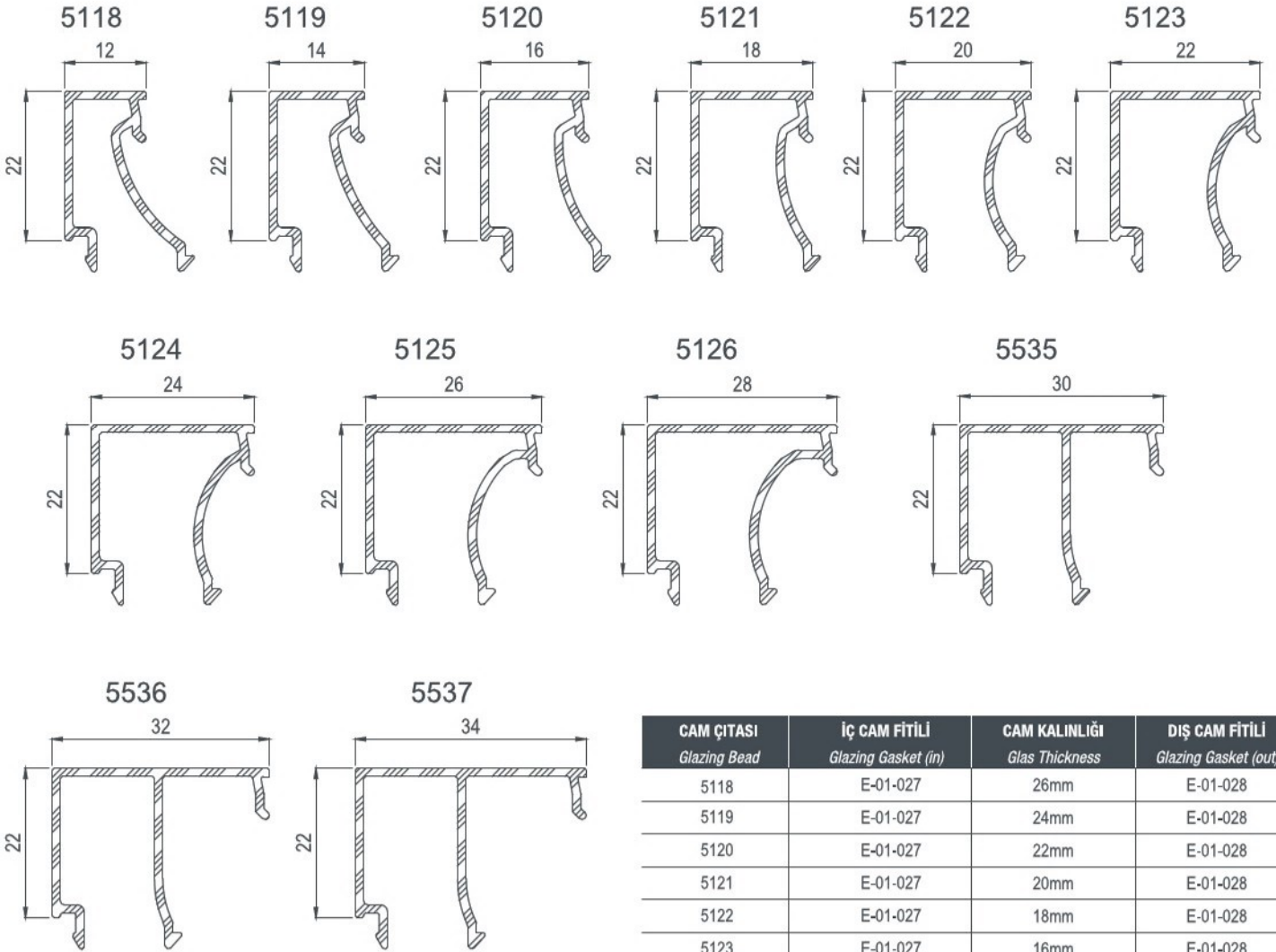


8021





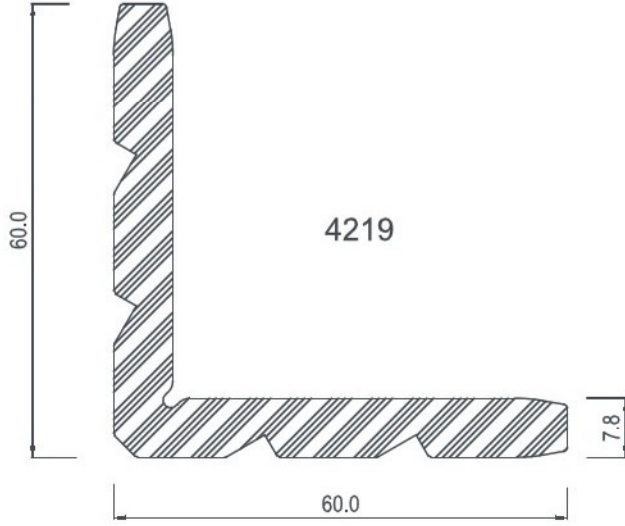
COD Code	AGIRLIK (kg/m) Weight	Jxx cm4	Jyy cm4	Jxx cm3	Jyy cm3	L m
5118	0,249	-----	-----	-----	-----	6
5119	0,251	-----	-----	-----	-----	6
5120	0,255	-----	-----	-----	-----	6
5121	0,260	-----	-----	-----	-----	6
5122	0,267	-----	-----	-----	-----	6
5123	0,274	-----	-----	-----	-----	6
5124	0,281	-----	-----	-----	-----	6
5125	0,292	-----	-----	-----	-----	6
5126	0,308	-----	-----	-----	-----	6
5535	0,305	-----	-----	-----	-----	6
5536	0,312	-----	-----	-----	-----	6
5537	0,318	-----	-----	-----	-----	6




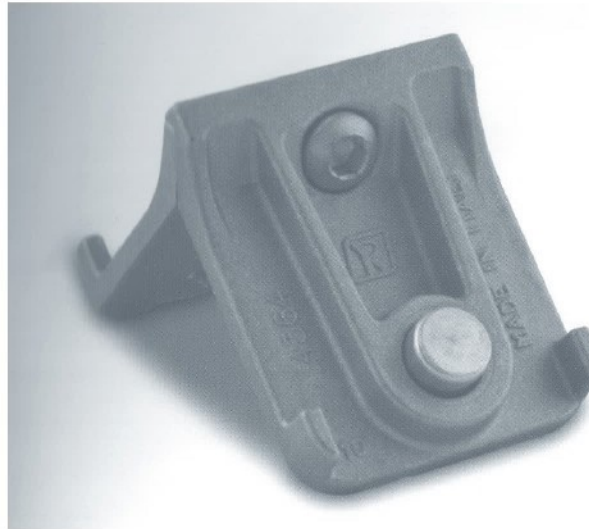
CAM ÇİTASI Glazing Bead	İÇ CAM FİTİLİ Glazing Gasket (in)	CAM KALINLIĞI Glas Thickness	DIŞ CAM FİTİLİ Glazing Gasket (out)
5118	E-01-027	26mm	E-01-028
5119	E-01-027	24mm	E-01-028
5120	E-01-027	22mm	E-01-028
5121	E-01-027	20mm	E-01-028
5122	E-01-027	18mm	E-01-028
5123	E-01-027	16mm	E-01-028
5124	E-01-027	14mm	E-01-028
5125	E-01-027	12mm	E-01-028
5126	E-01-027	10mm	E-01-028
5535	E-01-027	8mm	E-01-028
5536	E-01-027	6mm	E-01-028
5537	E-01-027	4mm	E-01-028



COD Code	AGIRLIK (kg/m) Weight	Jxx cm4	Jyy cm4	Jxx cm3	Jyy cm3	L m
00 C 13	2,212	---	---	---	---	6

**KÖŞE TAKOZLARI / Corner Cleats**

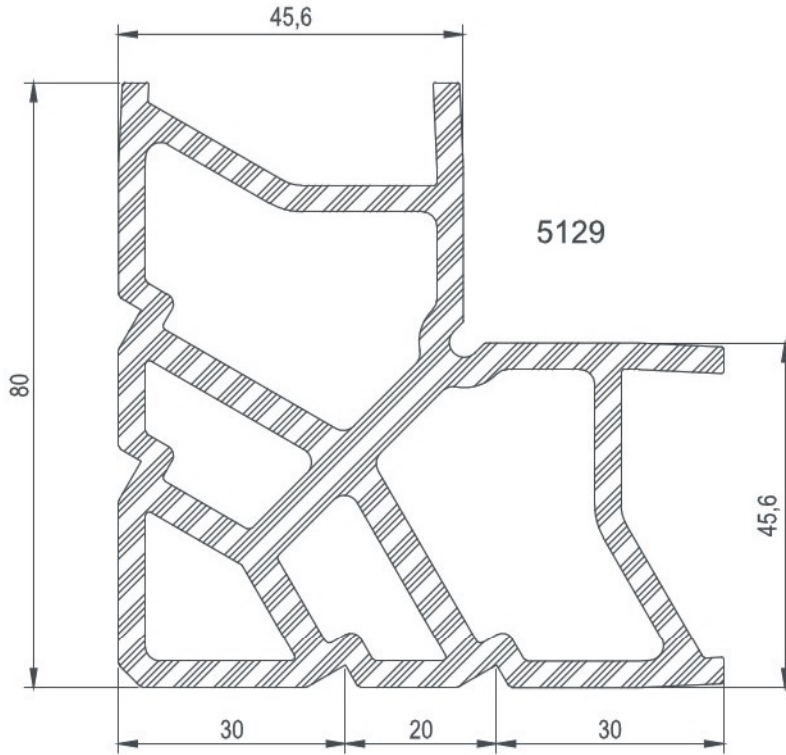
Nr	 L m	AKS. KODU Ac. Code	KESİM ÖLÇÜSÜ Cutting Size
8028	4219	4219-46,7	46,7 mm
8027	4219	4219-47	47 mm



KOD	ADET	GENİŞLİK	YÜKSEKLİK
LC-4564	250	35.8	8.3



COD Code	AGIRLIK (kg/m) Weight	Jxx cm ⁴	Jyy cm ⁴	Jxx cm ³	Jyy cm ³	L m
5129	4,620	---	---	---	---	6

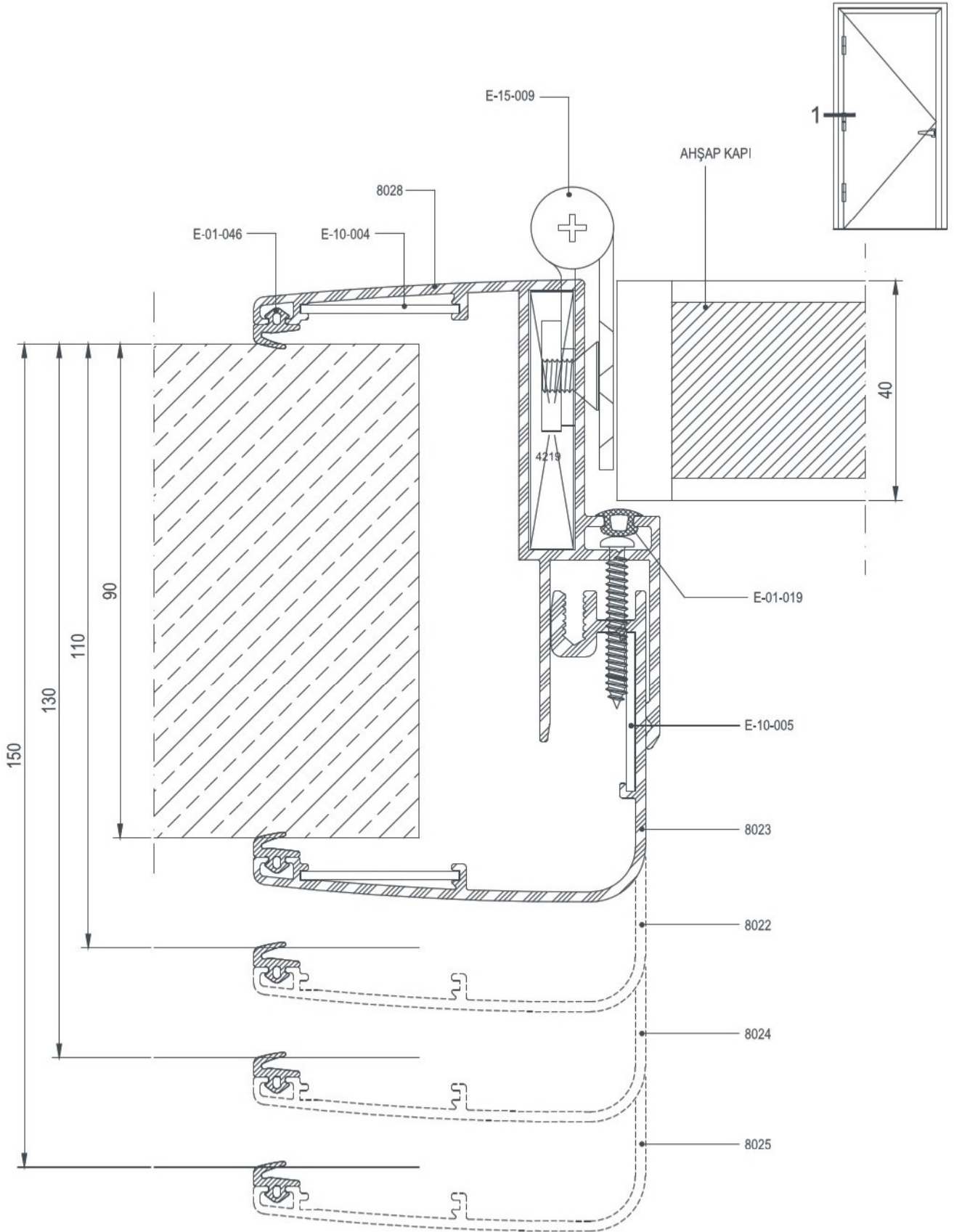
**KÖŞE TAKOZLARI / Corner Cleats**

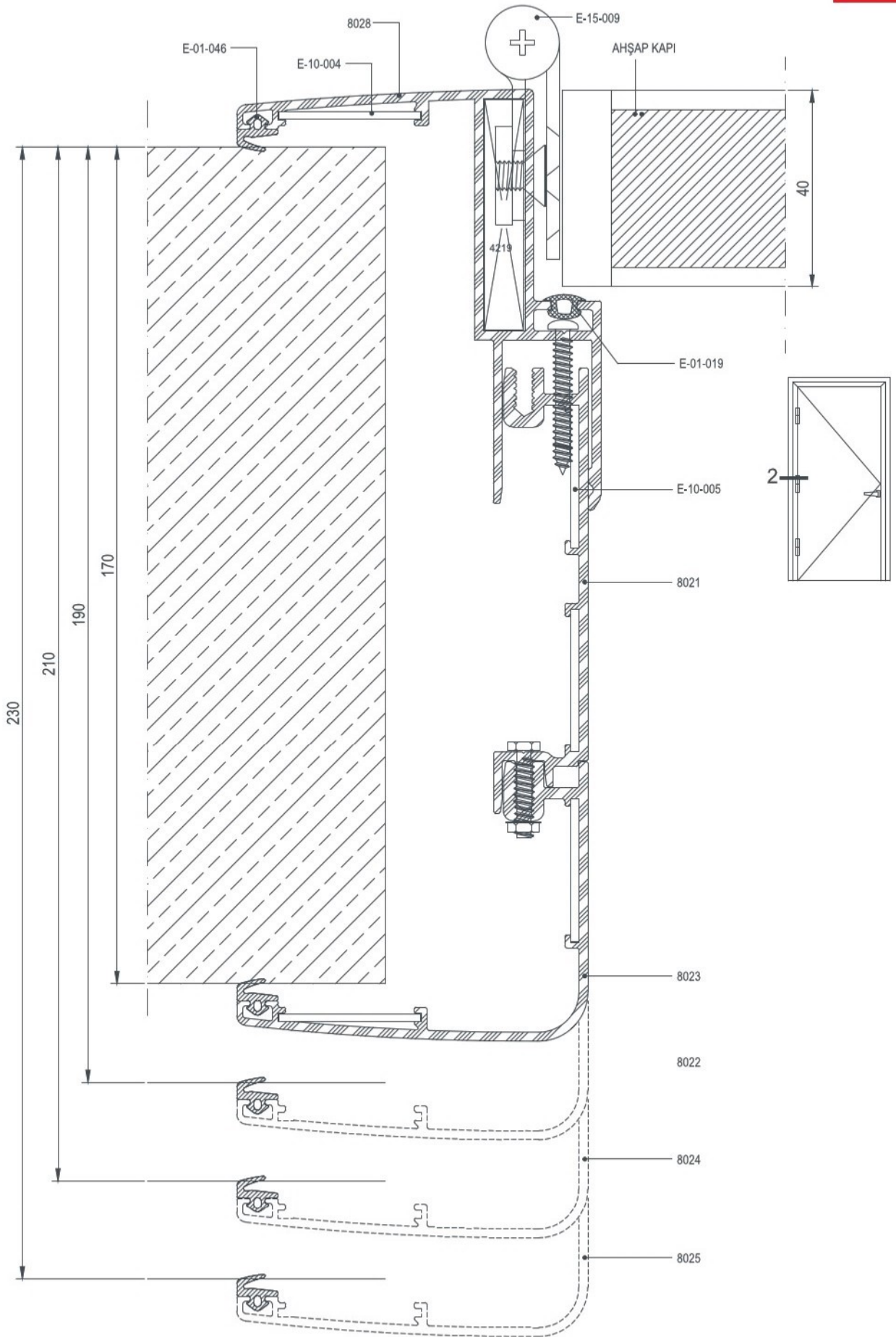
Nr		AKS. KODU Acs. Code	KESİM ÖLÇÜSÜ Cutting Size
8029	5129	5129-38,7	38,7 mm

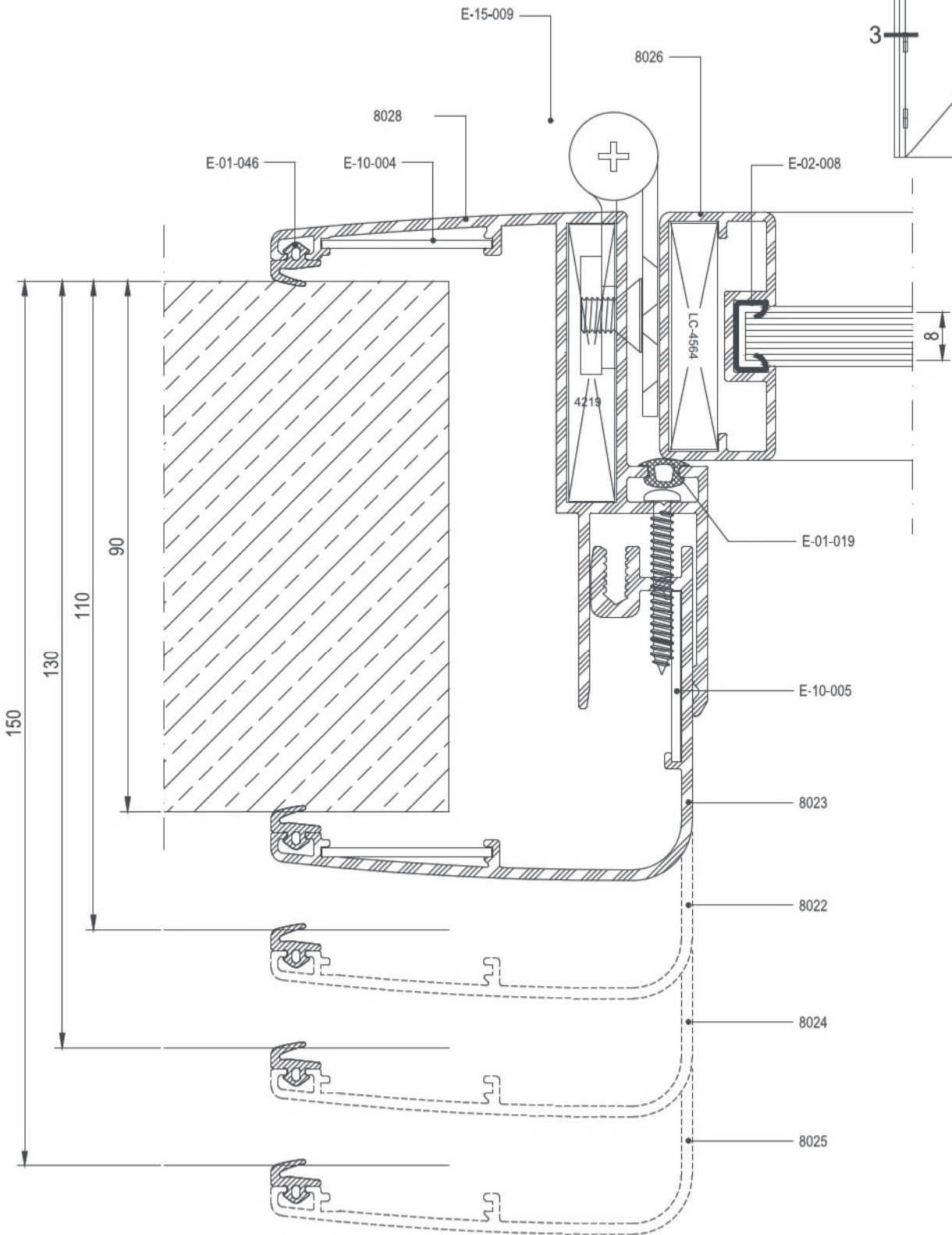
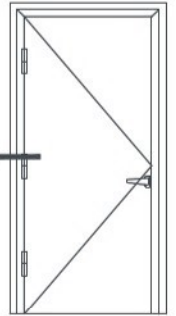


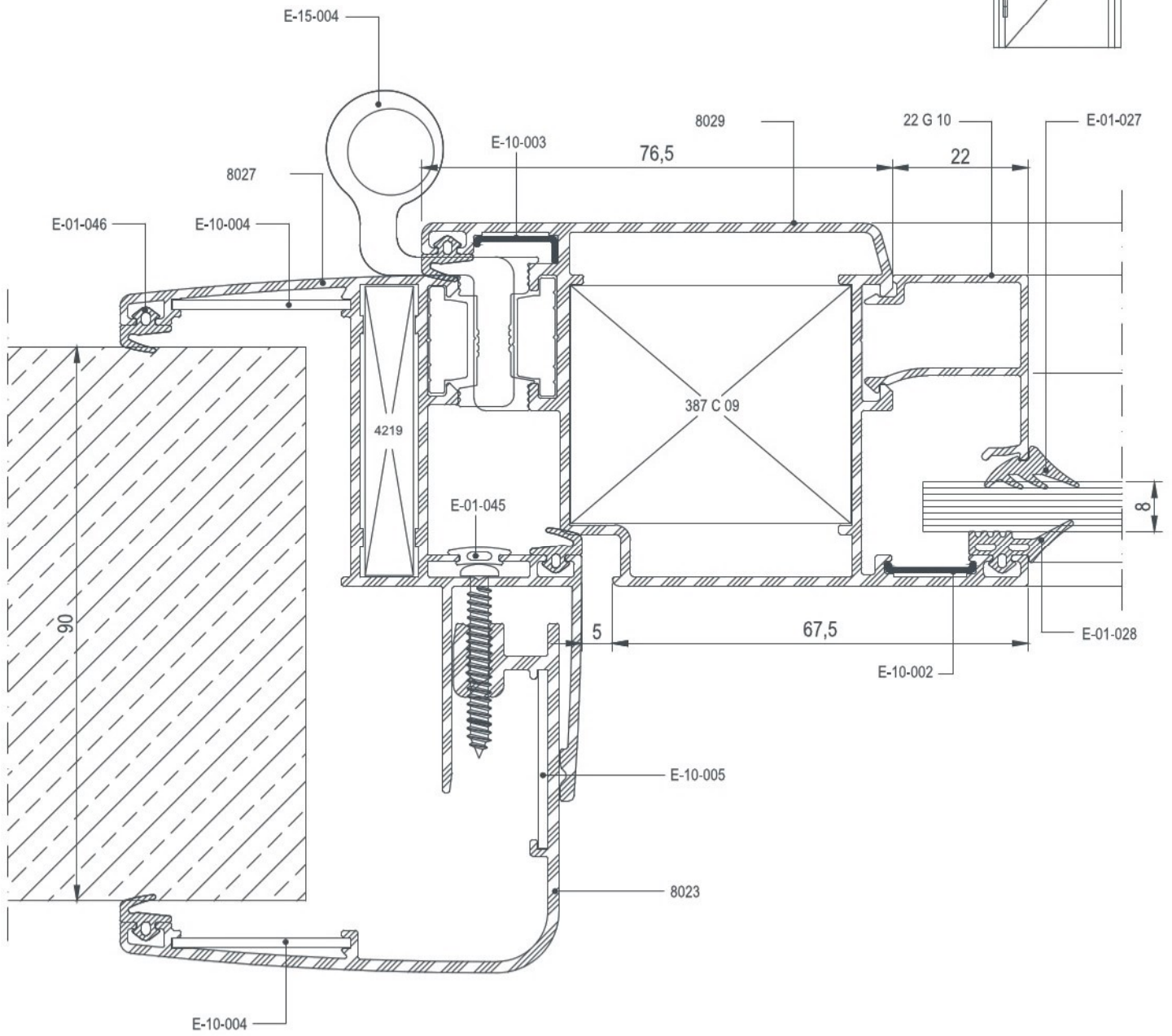
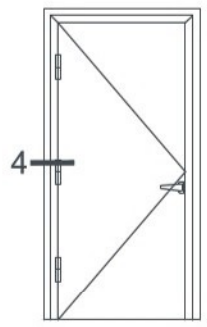
ED 50

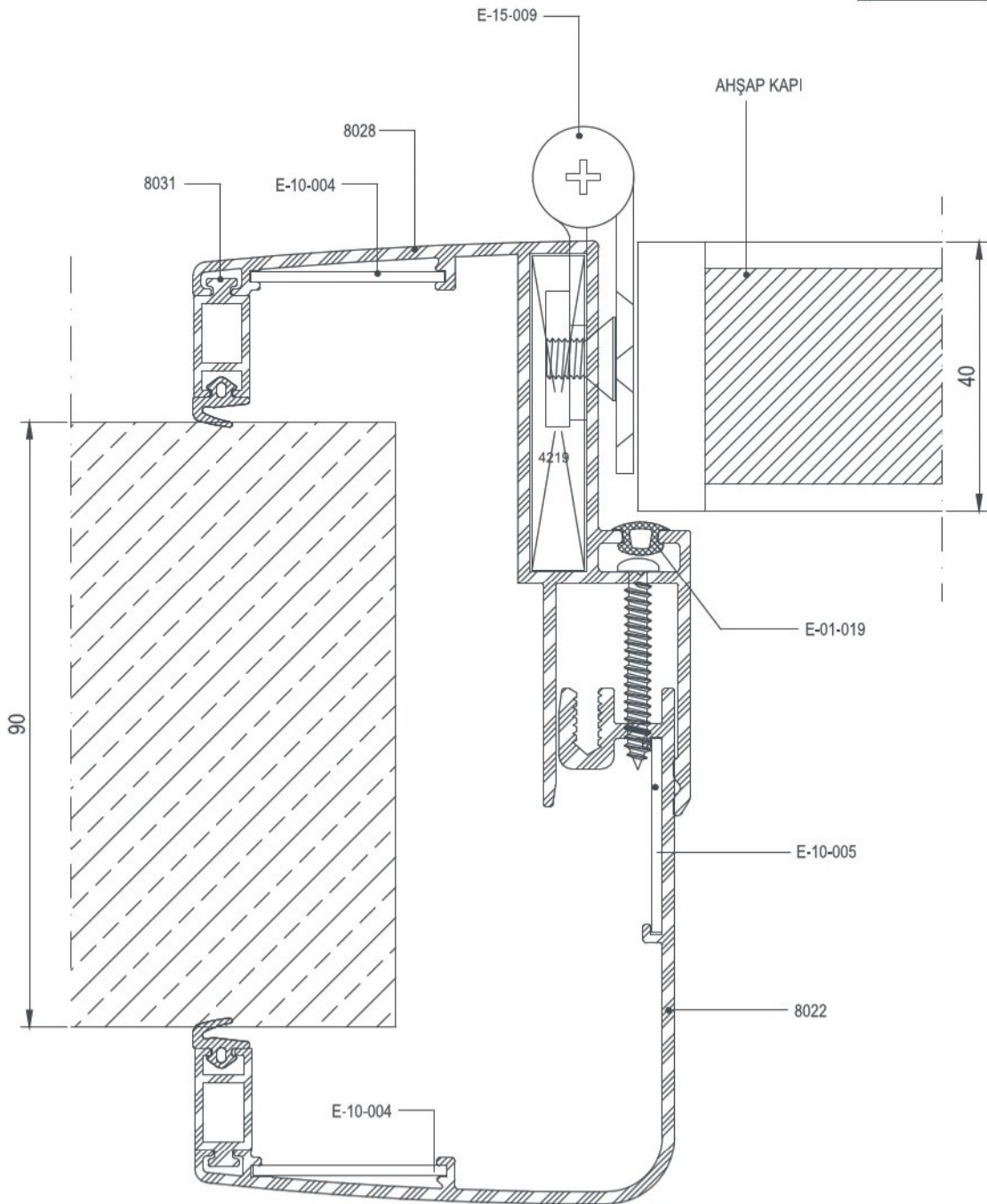
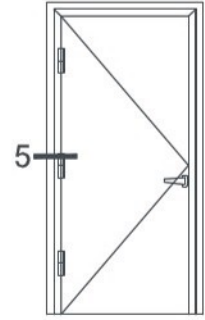
DETAYLAR
DETAILS










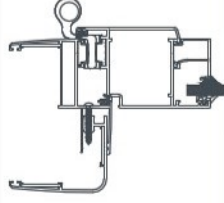

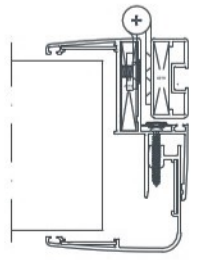

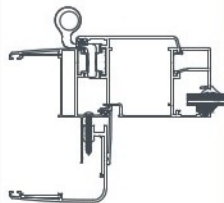

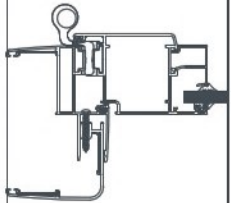

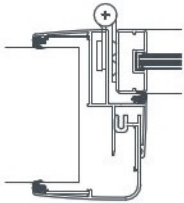
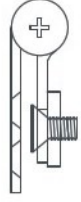
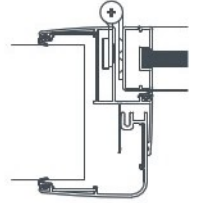

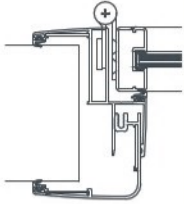
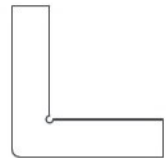
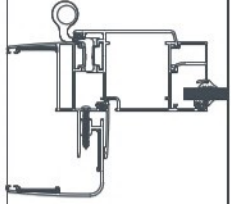

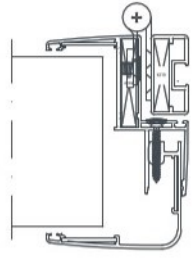





ED 50

AKSESUARLAR
ACCESSORIES



	<p>E-01-001 3mm iç cam fitili 3mm gasket 45 gr/mt</p>			<p>E-01-045 Kapama Fiteli Acoustical Gasket 32 gr/mt</p>	
	<p>E-01-028 Dış cam fitili outside gasket 60 gr/mt</p>			<p>E-15-004 Kapı Menteşesi Door Hinge</p>	
	<p>E-01-046 Dış Bini Fiteli Acoustical Gasket 32 gr/mt</p>			<p>E-15-009 Kapı Menteşesi Door Hinges</p>	
	<p>E-02-008 Pvc Cam Tutucu (8 MM) Pvc Glazing Beat</p>			<p>E-10-004 Köşe Çavuşu Corner Piece</p>	
	<p>E-01-019 Kapama Fiteli Acoustical Gasket 24 gr/mt</p>			<p>E-10-005 Köşe Çavuşu Corner Piece</p>	